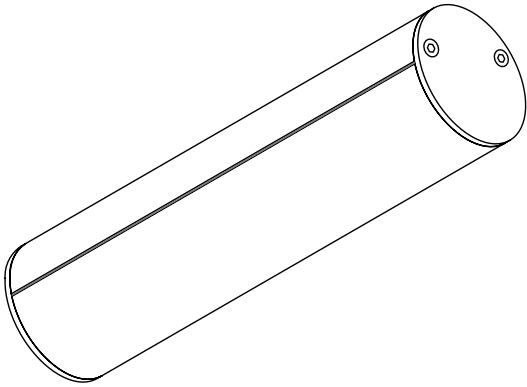


Armadio

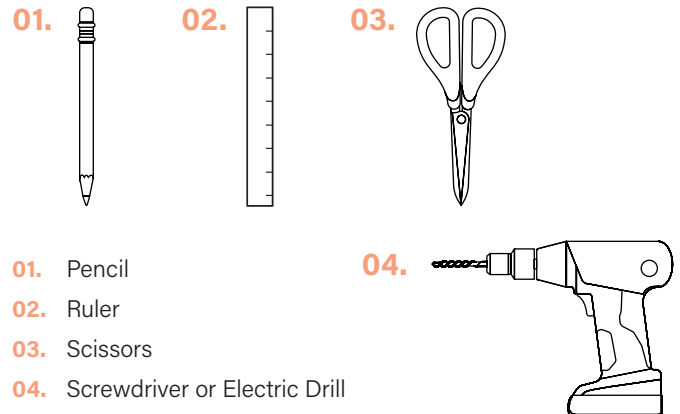
Installation Instructions



⚠ Safety and Warnings

1. Install in accordance with national and local electrical code regulations.
2. This product is intended to be installed and serviced by a qualified, licensed electrician.
3. Do not modify or disassemble this product beyond instructions or the warranty will be void.
4. Do not install near areas with exposure to water.
5. Do not attempt to fix this product in the field.
6. Failure to follow safety warnings, and installation instructions will void the warranty for this product.

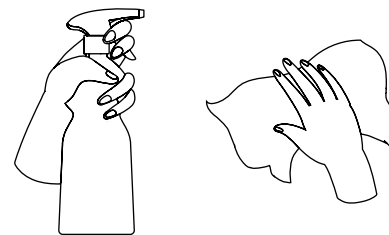
⚙ Tools for Install



✂ Installation

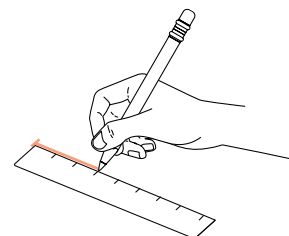
01.

Prepare mounting surface by removing any dirt, debris or moisture.



02.

Draw a guideline with a ruler and pencil at the desired height on both sides.



Armadio

Installation Instructions

OPTIQUE

03.

Install fixture with one of the following mounting options.

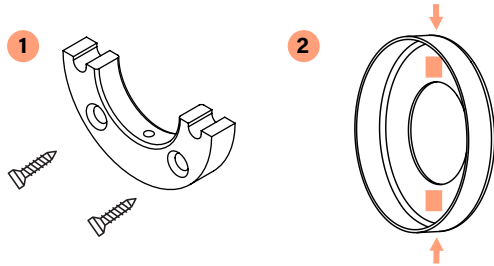
- 3a. Basic Installation
- 3b. Fixed Support Installation
- 3c. Variable Hanging Support Installation

3a. Basic Installation

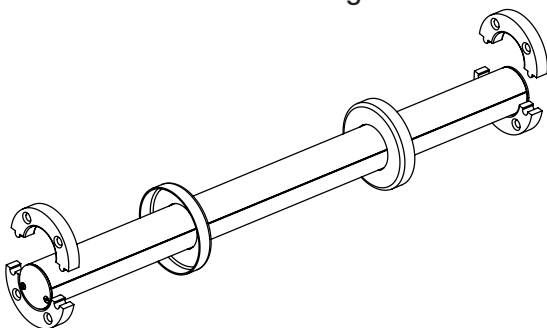
Recommended for small fixtures.

1. Use a pencil to mark the holes for the rings on the wall. Using the applicable screws with wall anchors, mount the lower ring using the marked holes as a guide with a screwdriver or drill.

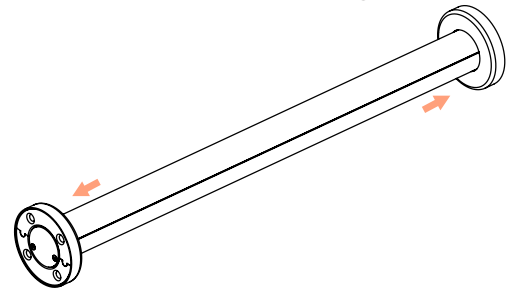
2. Remove two adhesive protectors on the inside of both covers.



3. Slide the covers onto the fixture rod. Rest the rod on the mounted rings.



4. Attach upper rings on each side and secure.
5. Screw the set screws in the threaded hole.
6. Slide covers to hide the rings.

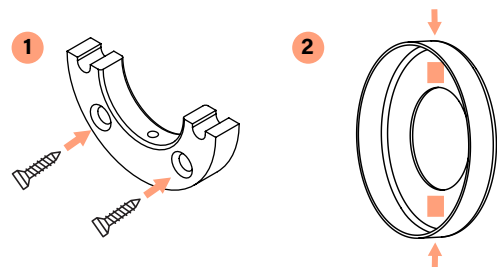


3b. Fixed Support Installation

- It is recommended to use one fixed support bracket every 3'.
- A shelf or other element must be 2.07 inches above the fixed support bracket.

1. Use a pencil to mark the holes for the rings on the wall. Using the applicable screws with wall anchors, mount the lower ring using the marked holes as a guide with a screwdriver or drill.

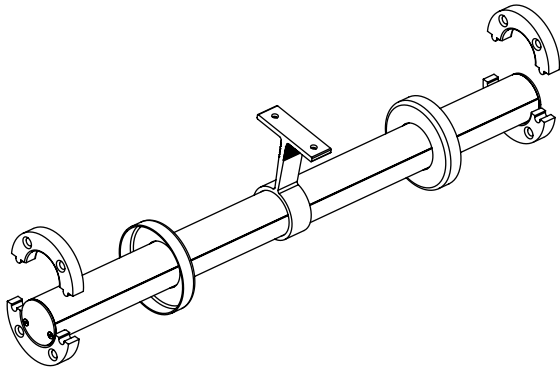
2. Remove two adhesive protectors on the inside of both covers.



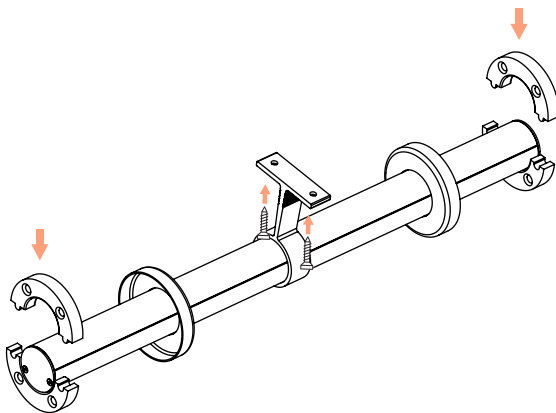
3. Slide the fixed support bracket and the covers onto the fixture rod. Rest the rod on the mounted rings.

Armadio

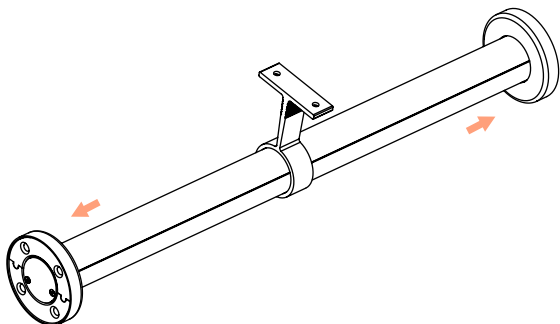
Installation Instructions



4. Attach upper rings on each side and secure.
5. Screw the set screws in the threaded hole.
6. Secure hanging bracket to the ceiling.



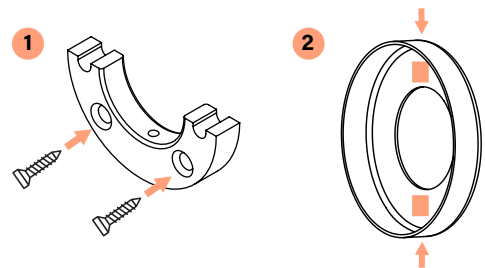
7. Slide covers to hide the rings.



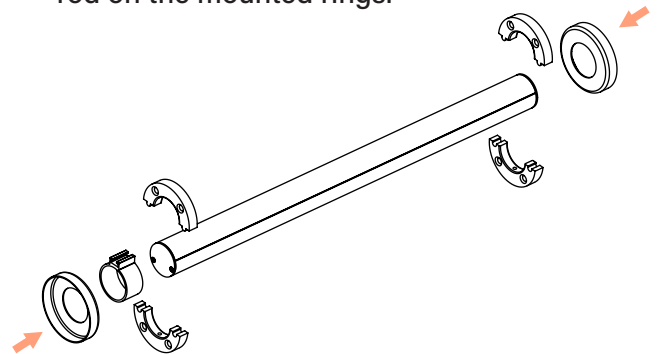
3c. Variable Hanging Support Installation

- It is recommended to use one variable hanging support every 3'.
- The maximum height the variable hanging support can be mounted at is 10 ft.

1. Use a pencil to mark the holes for the rings on the wall. Using the applicable screws with wall anchors, mount the lower ring using the marked holes as a guide with a screwdriver or drill.
2. Remove two adhesive protectors on the inside of both covers.



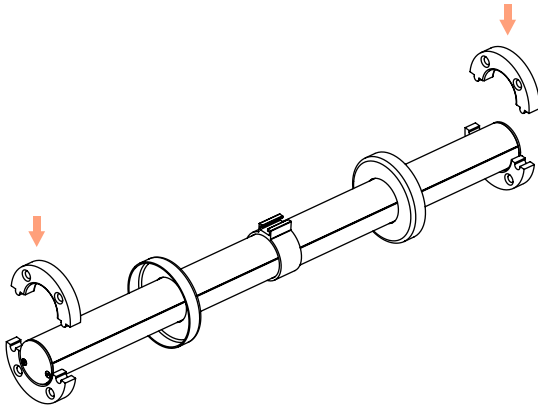
3. Slide the variable hanging support and the covers onto the fixture rod. Rest the rod on the mounted rings.



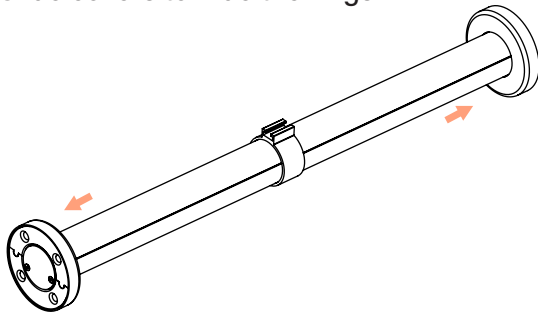
4. Attach upper rings on each side and secure.

Armadio

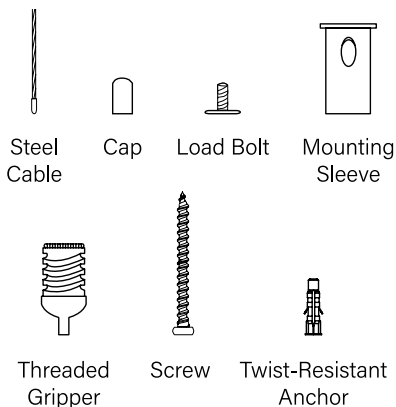
Installation Instructions



- 5. Screw the set screws in the threaded hole.
- 6. Slide covers to hide the rings.



- 7. Use the other components included in the suspension ring kit to complete the ceiling installation.



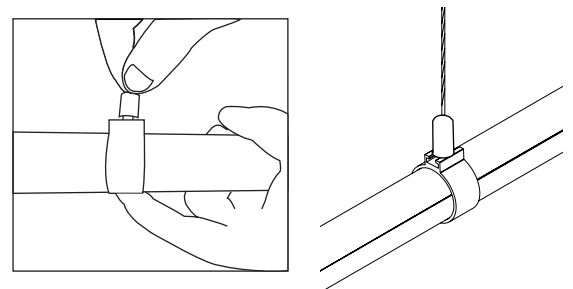
- 8. Thread the steel cable through the cap.



- 9. Once the cap is in position, thread the bracket through the load bolt and leave 1/16" of space between them. This allows room to adjust it into the external channel of the ring.



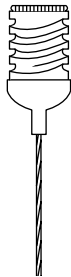
- 10. Pass the bracket through the external channel of the ring and securely tighten the receiver.



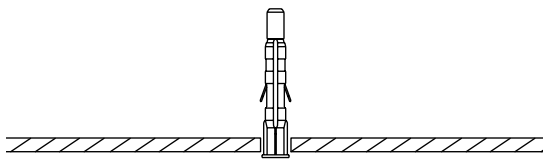
Armadio

Installation Instructions

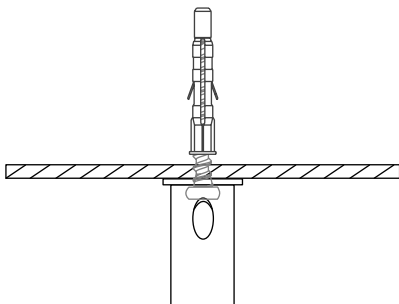
11. Using the other end of the steel cable, thread it through the threaded gripper. Set aside.



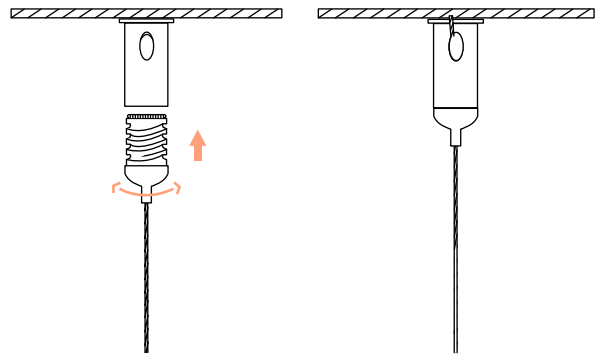
12. Make a hole in the ceiling using the drill bit 15/64", then place the twist-resistant anchor in that hole.



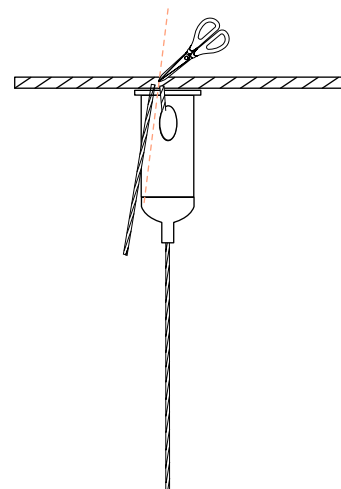
13. Mount the mounting sleeve to the ceiling by screwing through the center orifice into the twist-resistant anchor.



14. The ceiling installation is now prepared. Using the previously assembled components, put the threaded gripper through the mounting sleeve. Ensure that the steel cable shows through the hold of the mounting sleeve.



15. Adjust to the desired length by pulling the steel cable. Cut the steel cable excess using pliers or scissors.



Armadio

Installation Instructions

04.

Connect Armadio to power supply.

