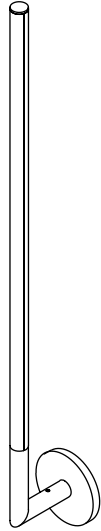


Orbita

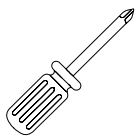
Single Sconce Installation Instructions



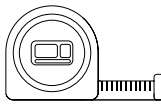
⚠ Important Information

1. These instructions show a typical installation.
2. This product is wall mount.
3. This product mounts directly to drywall.

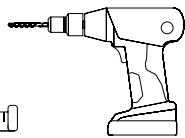
⚙ Required Tools



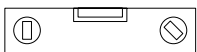
#2 PHILLIPS
SCREWDRIVER



TAPE MEASURE



POWER DRILL



LEVEL BAR



1.5MM ALLEN KEY

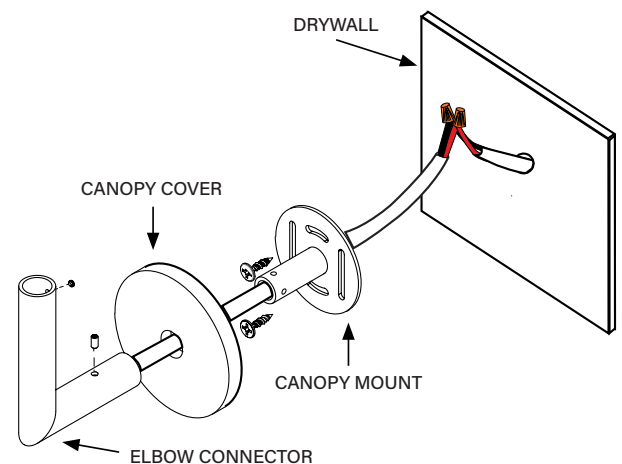
✂ Option One: Direct Wire Mount

01.

Position the driver in a suitable location within 30 feet of the desired fixture location.

02.

Drill 1/2" hole in drywall at the desired location and bring a 24V low-voltage in-wall rated wire through the hole in the wall.

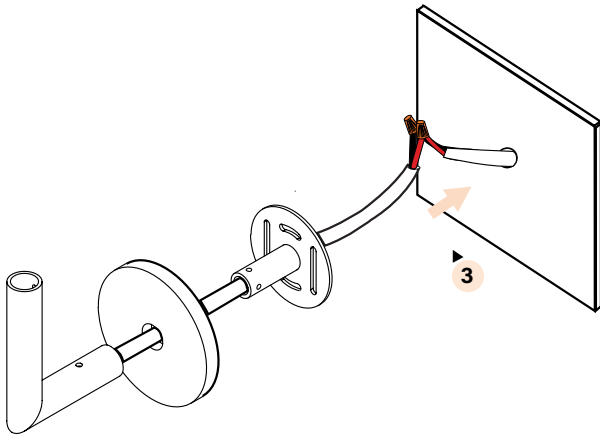


03.

Pre thread the wire from the elbow connector through the canopy cover and through the canopy mount. Connect a 24V low-voltage wire to the wire lead from the elbow connector. Red is positive (+) and black is negative (-).

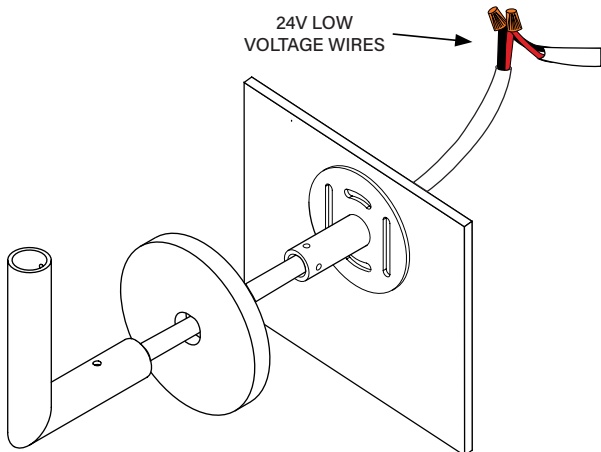
Orbita

Single Sconce Installation Instructions



04.

Pass connected low-voltage wires and wire nuts through the hole in the drywall.

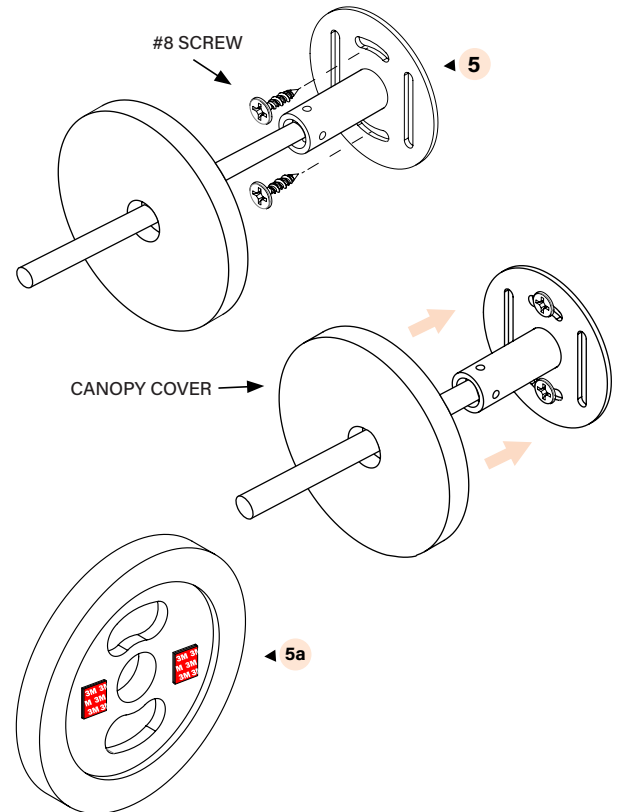


05.

Use two standard #8 wood screws to attach the canopy mount to the wall.

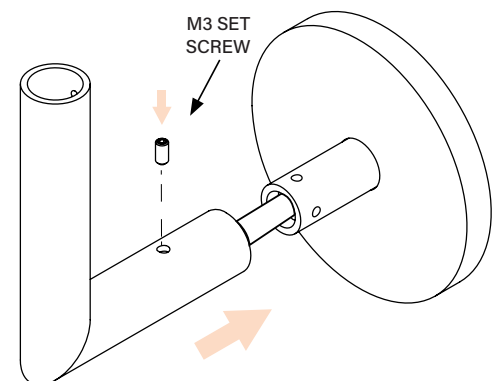
NOTE: Ensure that the threaded hole is facing straight up.

- a. Secure the canopy cover to the canopy mount with 3M VHB tape.



06.

Slide the elbow connector on to the canopy mount. Fasten the elbow connector to the canopy mount with the M3 set screw.

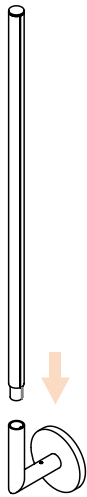


Orbita

Single Sconce Installation Instructions

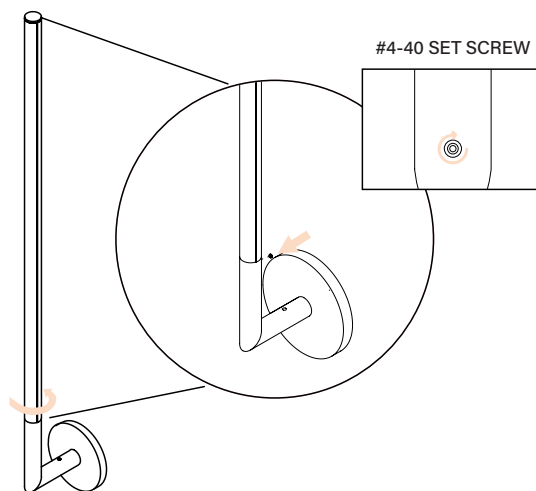
07.

Snap the light fixture into place.



08.

Rotate to desired angle and then secure the #4-40 set screw with an Allen key.



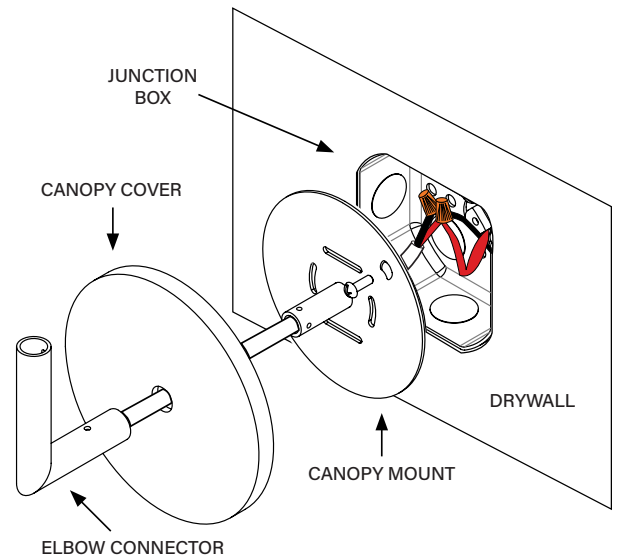
✘ Option Two: Junction Box Mount

01.

Install the driver and run a 24V in-wall rated wire to the junction box.

02.

Pre-thread the wire from the elbow connector through the canopy cover and through the canopy mount. Connect a 24V low-voltage wire to the wire lead from the elbow connector. Red is positive (+) and black is negative (-).

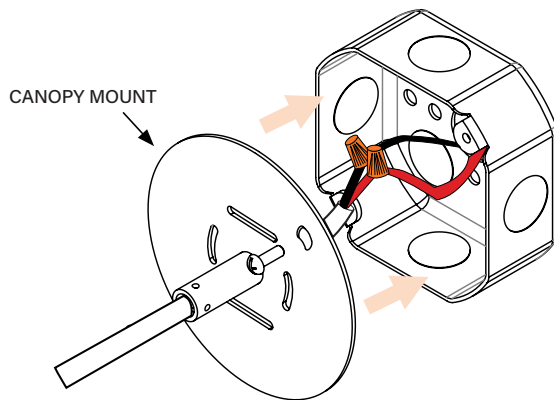


Orbita

Single Sconce Installation Instructions

03.

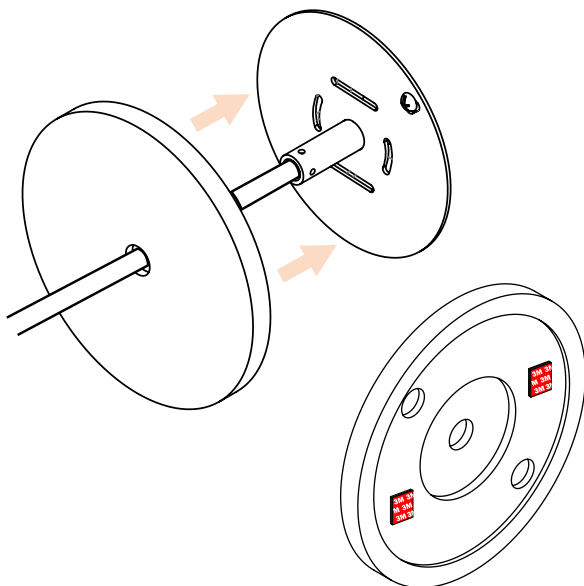
Place the wires and secured wire nuts into the junction box. Secure the canopy mount with junction box screws.



04.

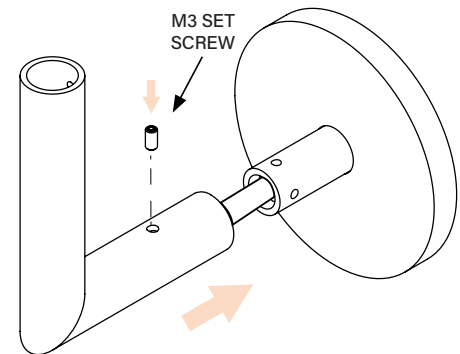
Ensure that the threaded hole on top of the canopy mount is facing straight up.

- a. Secure the canopy cover with 3M VHB tape.



05.

Secure the elbow connector with the M3 set screw using an Allen key.



06.

Snap the light fixture into place and rotate it to the desired angle.

07.

Secure the fixture by tightening the #4-40 set screws using an Allen key.

