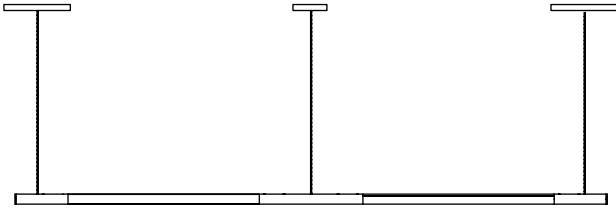


Orbita

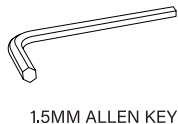
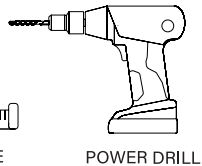
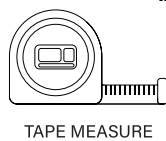
Suspended Installation Instructions



⚠ Important Information

1. These instructions show a typical installation.
2. This product suspends only from the ceiling.
3. Orbita Suspended provides a finished look.

⚙ Required Tools



✂ Section One: On Ceiling Mount

01.

Determine where powered ends of the suspended fixture are desired and mark on ceiling above these locations. For multisegment lights, ensure that non-powered supports are also marked on the ceiling.

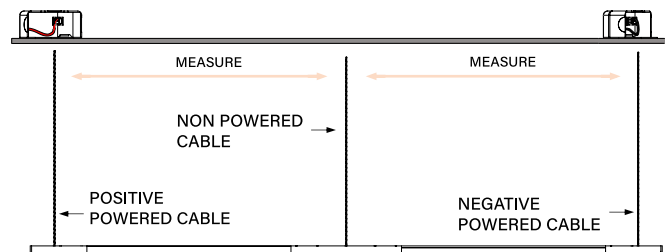
02.

Install junction boxes at marked ends. The Orbita Canopy system provides positive (+) power to one end and negative (-) to the other from a 24V Class 2 driver.

03.

Run 24V low-voltage power from the 24V Class 2 driver to the location of the fixture. Run the positive (+) lead to the junction box that will be positive, and the negative (-) lead to the junction box that will be negative.

NOTE: Your fixture comes pre-marked from the factory with the positive and negative ends.



Orbita

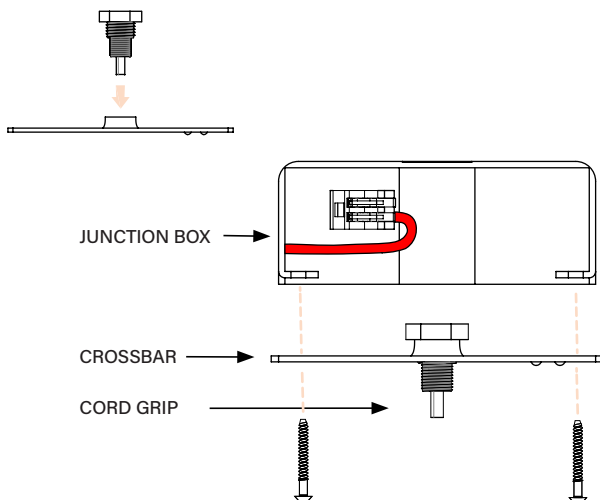
Suspended Installation Instructions

✂ Section Two: Installing Canopy / Power Connector

01.

Mount the cord grip assembly to the crossbar.

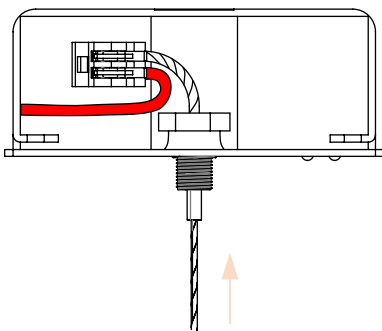
- Mount the crossbar to the junction box holes with two #8-32 screws.



02.

Feed the cable marked as positive (+) through the cord grip of the canopy mount that contains the positive lead from the driver.

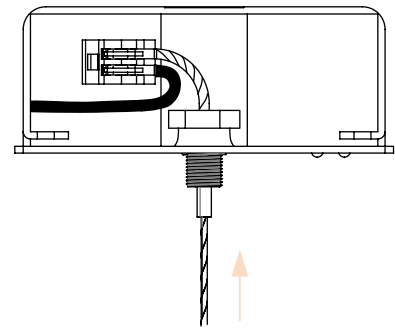
- Connect the cable with the wire from the power supply with a wire nut.



03.

Feed the cable marked as negative (-) through the cord grip of the canopy mount that contains the negative lead from the driver.

- Connect the cable with the wire from the power supply with a wire nut.



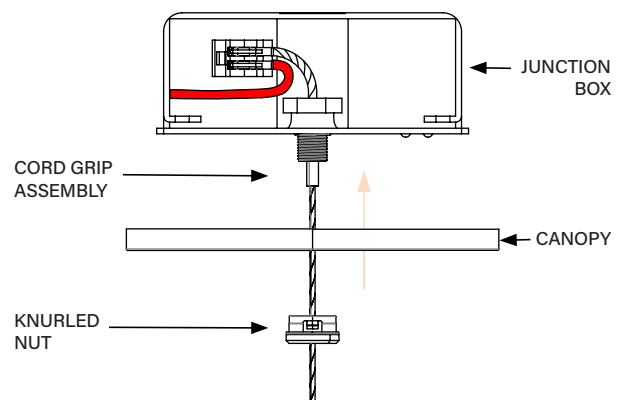
04.

Place all connections inside the junction box.

05.

Place the canopy over the cord grip against the ceiling.

- Secure it in place by tightening the knurled nut to the cord grip.

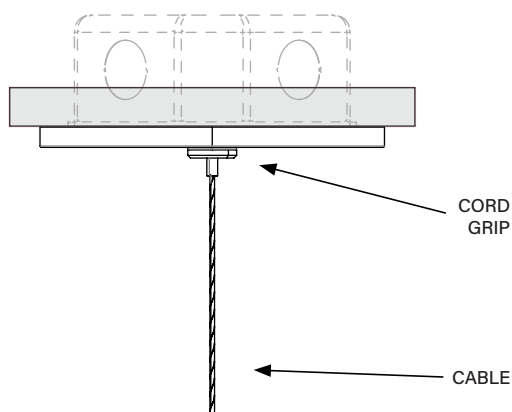


Orbita

Suspended Installation Instructions

06.

Adjust the fixture height by pushing the cord grip to slide the fixture up and down until the desired height is achieved. Release the cord grip to lock the cable in place.



07.

Repeat for the remaining canopy that contains the negative connections.



Section Three: Installing Intermediate Sections

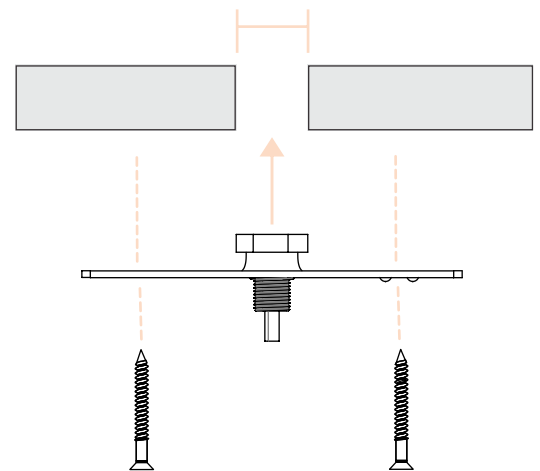
01.

Determine where the intermediate connector will be located and mark this location on the ceiling.

02.

Mount the cord grip assembly to the crossbar. Drill a 13/16" hole in the marked location.

- a. Mount the crossbar to the drywall with two standard #8 wood screws.



03.

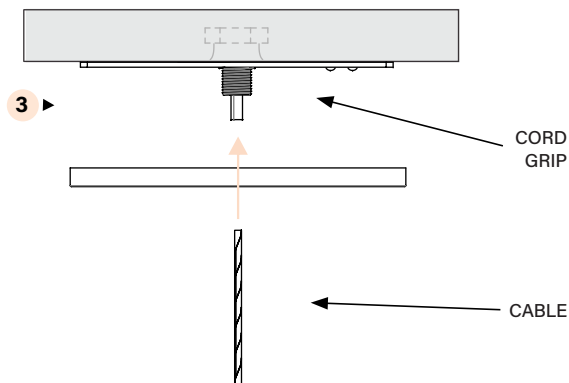
Place the canopy over the cord grip against the ceiling. Secure it in place by tightening the knurled nut to the cord grip.

Orbita

Suspended Installation Instructions

04.

Feed the cable coming from the middle connector through the cord grip.



05.

Adjust the fixture height by pushing the cord grip and pulling the cable out. Release the tab to secure the cable in place.

- a. If necessary, trim excess cable using sharp cutters.

06.

Repeat steps for the remaining intermediate canopies if necessary.



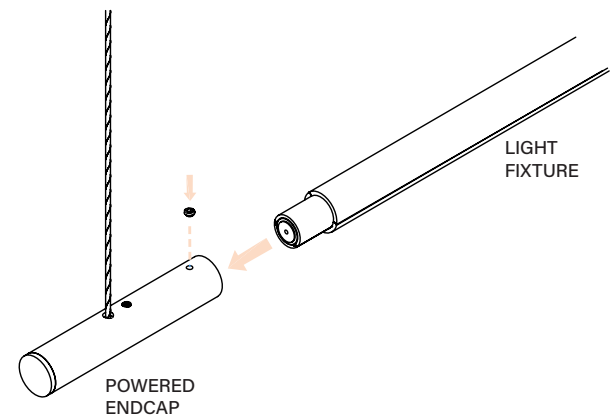
Section Four: Connecting Fixtures

01.

Align the fixture with the powered endcap and snap it into place.

02.

Secure the fixture by tightening the #4-40 set screw using an Allen key.



NOTE: The intermediate connectors physically connect two modular fixtures and conduct the power from one fixture to the other.

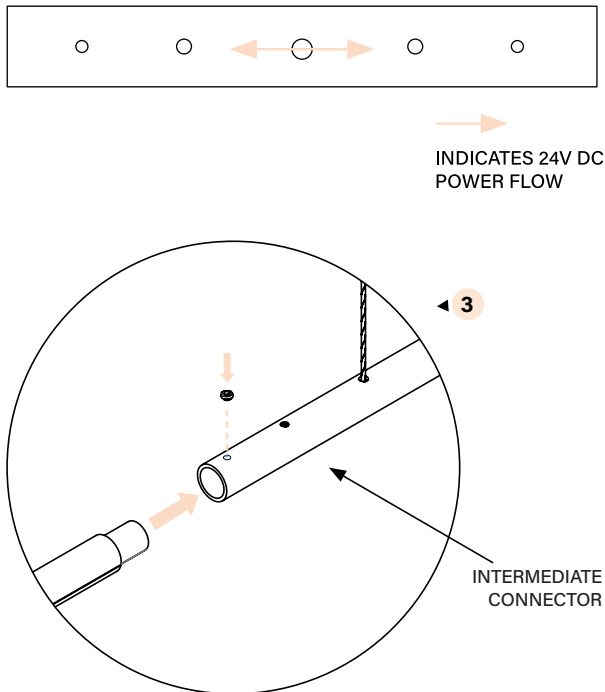
Orbita

Suspended Installation Instructions

03.

Align the fixture with the intermediate connector and snap it into place.

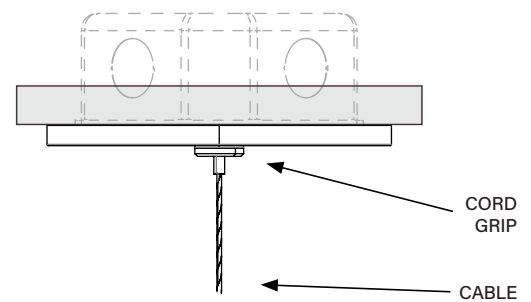
- Secure the fixture by tightening the #4-40 set screw using an Allen key.
- Repeat the steps for the other end of the intermediate connector.



✘ Section Five: Adjusting Fixture Height

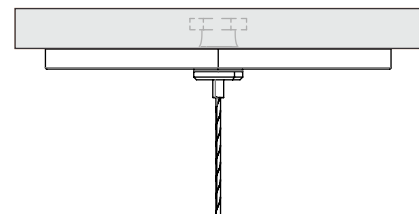
01.

To fine adjustment of the fixture height, push the cord grip to slide the fixture up and down using the cables until the desired height is achieved. Release to lock the cable.



02.

Push the cord grip of the intermediate canopy to slide the fixture up and down until the desired height is achieved. Release to lock the cable.



03.

Repeat for the remaining intermediate canopies until desired level is achieved.