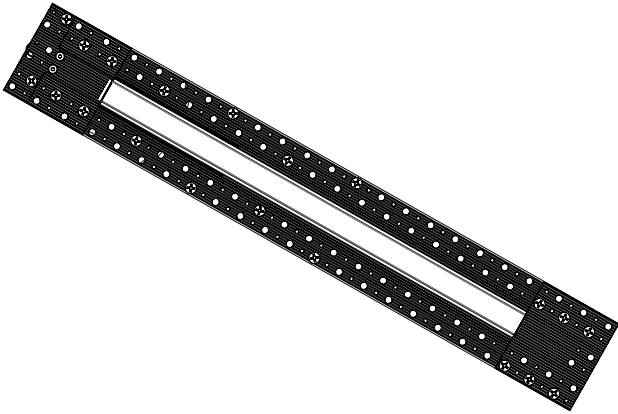


Pivotaire

Straight Installation Instructions



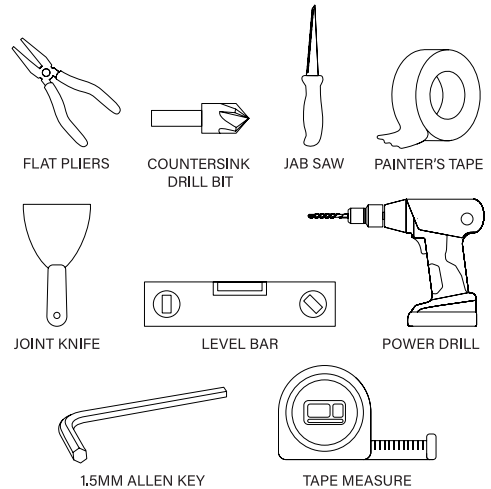
⚠ Important Information

- These instructions show a typical installation.
- This product is compatible with 5/8" inch drywall.

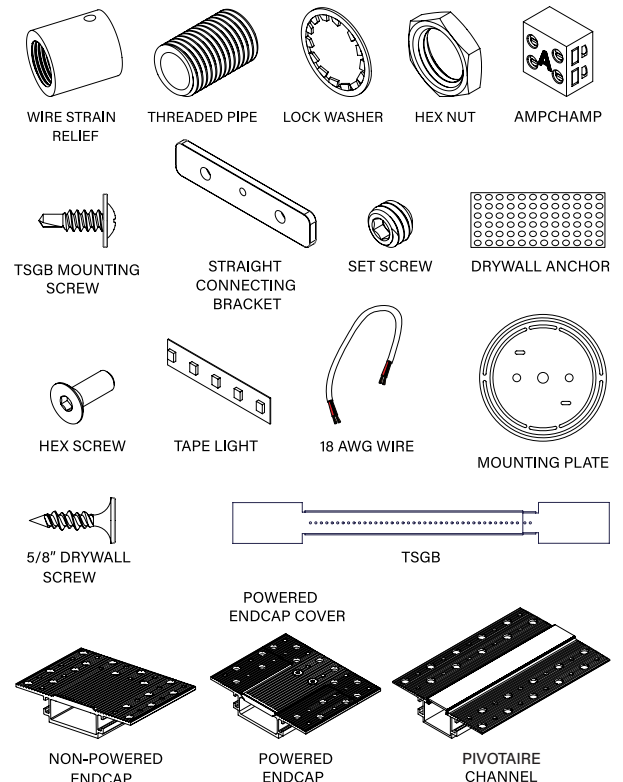
⚠ Safety and Warnings

1. Install in accordance with the national and local electrical code.
2. This product is intended to be installed and serviced by a qualified, licensed electrician.
3. Failure to follow safety warnings and installation instructions will void the product warranty.

⚙ Required Tools



⚙ Supplied Components



Pivotaire

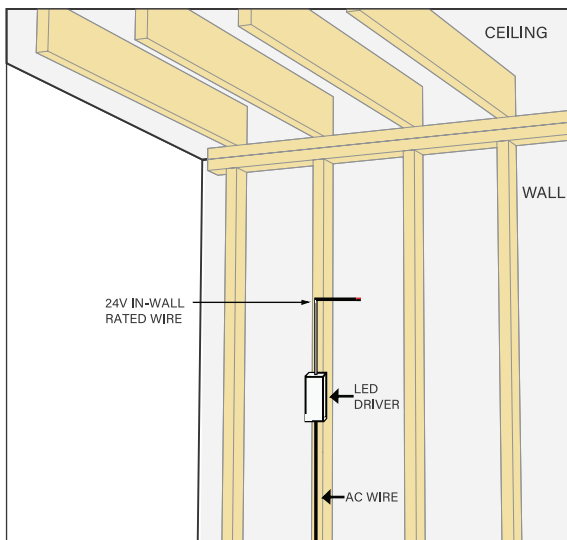
Straight Installation Instructions

✂ Section One: Install the Remote Power Supply

01.

Install a 24V remote power supply and run low voltage in-wall rated wire to the desired location.

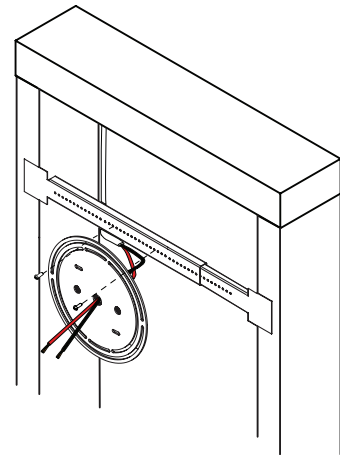
NOTE: Optique recommends using 18 AWG CL2 wire. If a higher gauge wire is required due to the distance to the driver (longer than 30 ft.), then use the junction box (B) Installation.



✂ Section Two: Mounting Plate Installation

1a. Direct Wiring

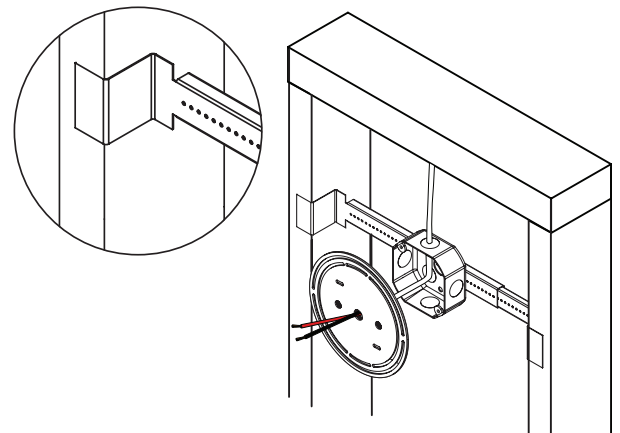
1. Mount TSGB flush to the back surface of the drywall and the front surface of studs with screws.



1b. Junction Box

When not using 18 AWG

1. Bend TSGB so that the junction box is flush against the back surface of the drywall that will be installed.

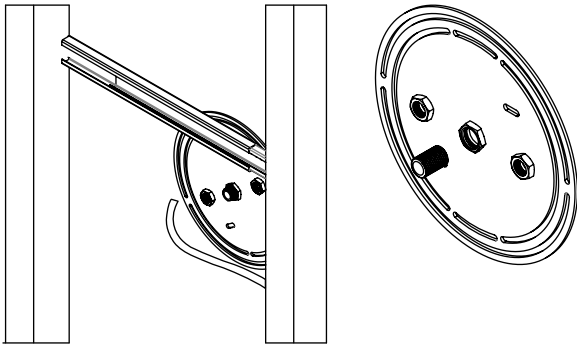


Pivotaire

Straight Installation Instructions

02.

Screw the threaded pipe into the threaded middle hole indicated below.



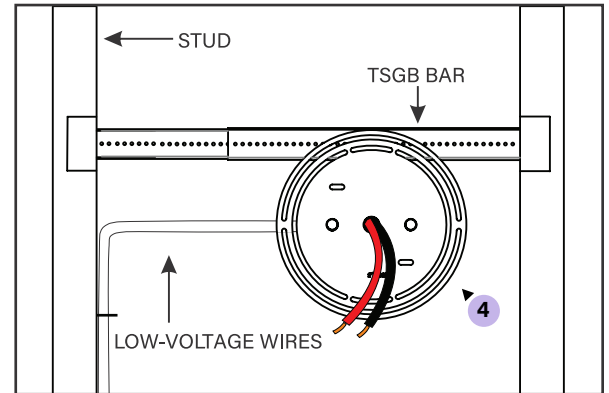
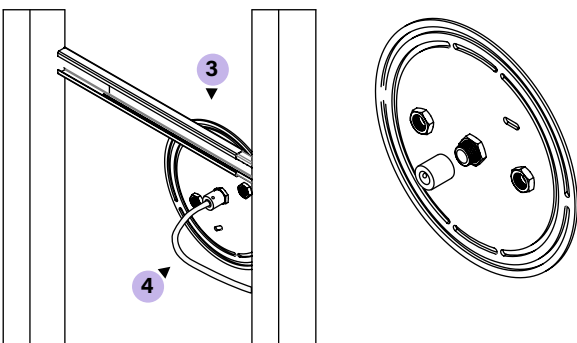
03.

Add the wire strain relief cap to the end of the threaded pipe behind the mounting plate.

- a. Ensure the threaded pipe protrudes 1/2" from the front of the mounting plate.

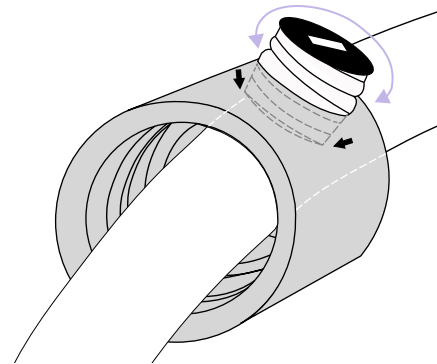
04.

Thread the 18 AWG low-voltage wires through the strain relief screw. Have wire protrude from the threaded pipe by about 6 inches; One positive (red) and one negative (black) wire.



05.

Tighten the strain relief nylon set screw fitting so that it is snug on the wire insulation but not so tight that it damages the insulation.



Pivotaire

Straight Installation Instructions

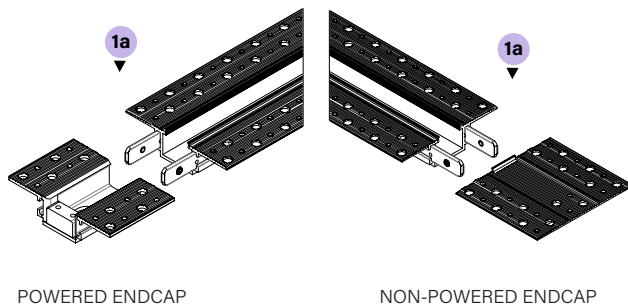
✂ Section Three: Drywall Installation

01.

Assemble the endcap and the channel according to the planned layout, using the straight connecting bracket to maintain alignment.

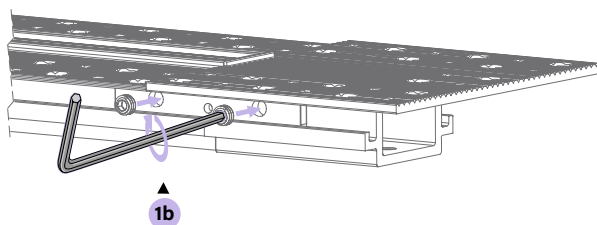
- Insert the straight bracket halfway into the channel rails. Tighten the two M3 set screws on each bracket using a 1.5mm Allen key.
- Slide the other section of the channel onto the bracket and tighten the remaining M3 set screws.

⚠ IMPORTANT: Make sure to position the powered endcap at the end to be powered.



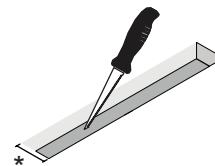
POWERED ENDCAP

NON-POWERED ENDCAP



02.

Mark on the drywall where the mounting plate with the wires will be exposed. Drill $\frac{1}{2}$ " hole and cut the section using a jab saw to expose the mounting plate.

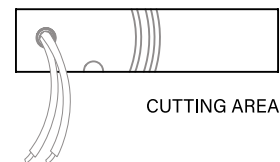


* Channel width varies between models.

- 0.5" Wide Channel
- 1" Wide Channel

03.

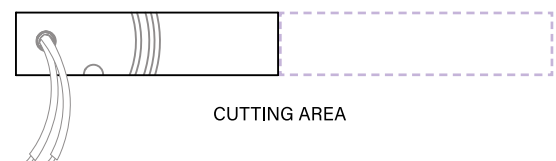
Install drywall.



04.

Use the assembled fixture as a guide to mark on the wall where the fixture is to be mounted. Ensure that the hole in the powered endcap aligns with the threaded pipe.

NOTE: You can mount the fixture at any angle. These instructions show a horizontal installation though any angle can be used.



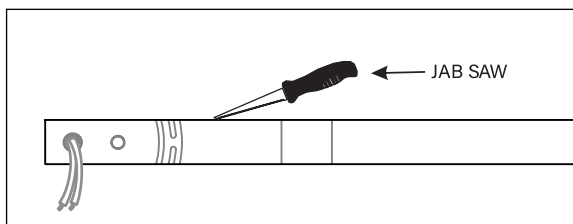
Pivotaire

Straight Installation Instructions

05.

Cut out the marked area matching the length and width of the channel.

- a. Allow for fixture wings to rest on outside of area.



✂ Section Four: Mount Channel

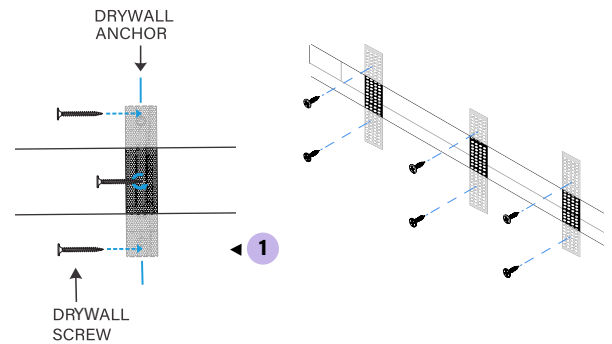
NOTE: Optique recommends using drywall screws where studs are present for maximum strength.

If the installation area does not cross studs, please use included drywall anchor.

01.

Install a drywall anchor behind the drywall every 36" where studs are not available.

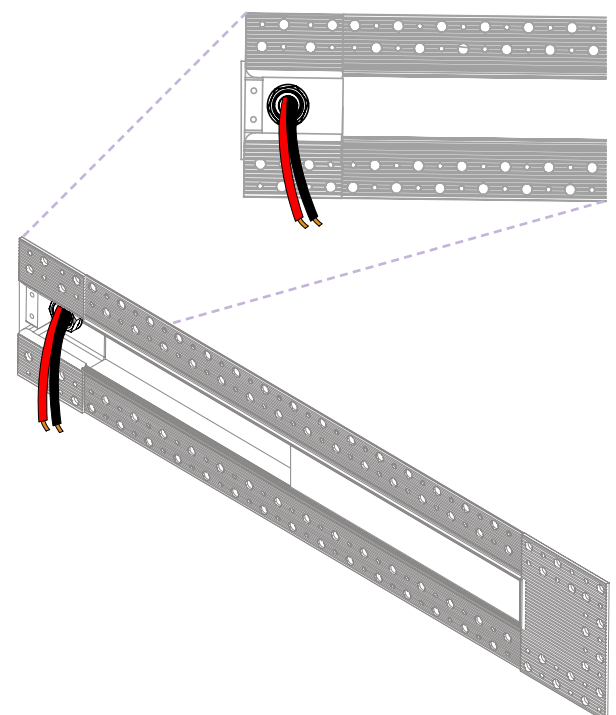
- Thread a drywall screw into the drywall anchor.
- Place the drywall anchor behind the precut drywall and rotate it into place using the drywall screw as a handle. Secure the drywall anchor to the drywall using two drywall screws.
- Mark the location of the drywall anchors on the drywall for future reference.



02.

Place the assembled fixture into the cutout area on the wall.

- Thread wire through the hole of the powered endcap. Insert into the precut drywall, aligning the hole of the powered endcap with the protruding threaded pipe.
- Secure the powered endcap by attaching the lock washer and hex nut to the threaded pipe. Use flat pliers to tighten the nut.



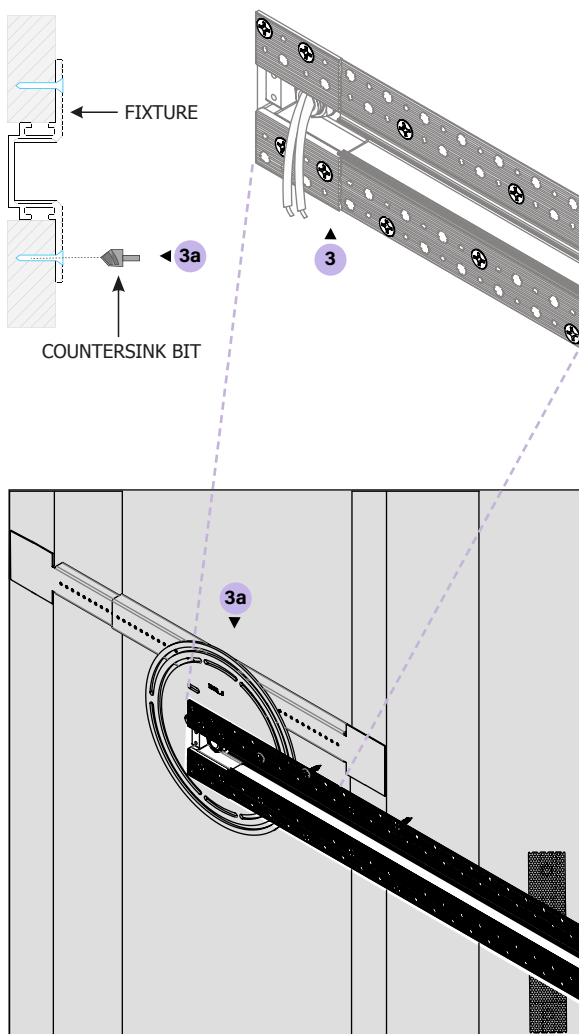
Pivotaire

Straight Installation Instructions

03.

Use supplied 5/8" drywall screws around Powered Endcap to ensure the screws do not impact the mounting plate.

- a. Use standard drywall screws to fasten the fixture to the wall. Properly secure the complete fixture to drywall by screwing through the wings. Use a countersink bit to ensure all screw heads are flush with the channel surface.



04.

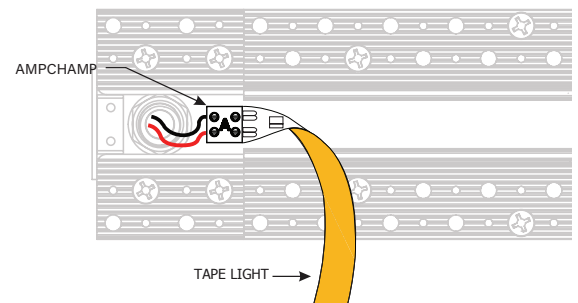
Unwind the tape light from the supplied roll.



05.

Wire tape light to electrical supply using AmpChamp.

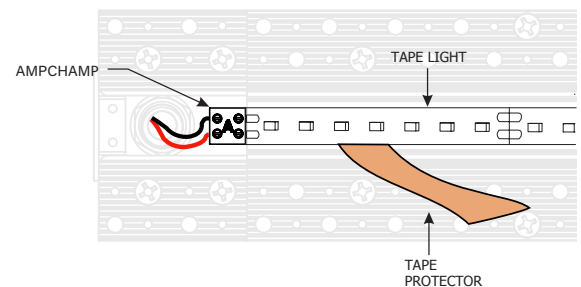
- a. Test the tape light by connecting a Class 2 LED driver. Turn on the power and ensure the tape lights up.
- b. Turn off the power again before mounting.



06.

Secure AmpChamp to the Pivotaire Powered Corner with the edge lined up with the fixture using the included 3M VHB tapes.

- a. Connect the wire to the AmpChamp, leaving one inch of slack to ensure AmpChamp can be accessed after installation.



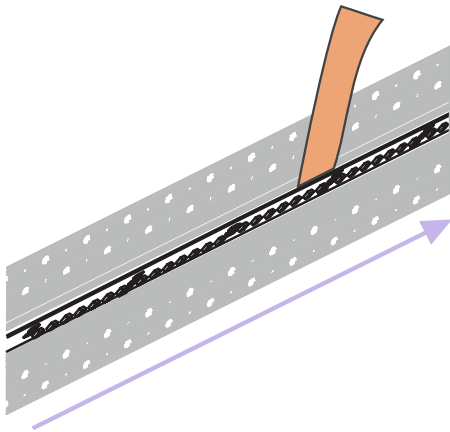
Pivotaire

Straight Installation Instructions

07.

Stick the tape light to the back of the fixture.

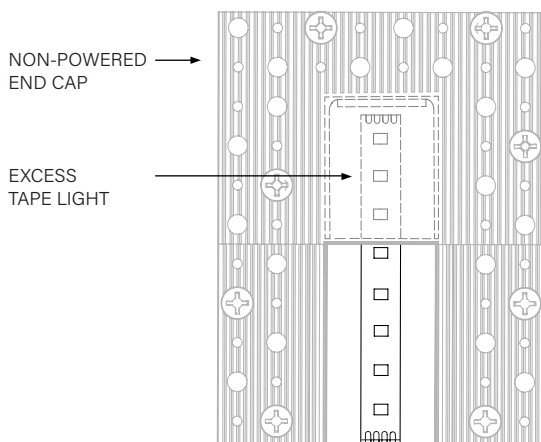
- Carefully remove the tape protector from the bottom of the tape light.



08.

Firmly pressing down using fingers, ensure the tape light is placed along the fixture surface removing the tape protector as needed.

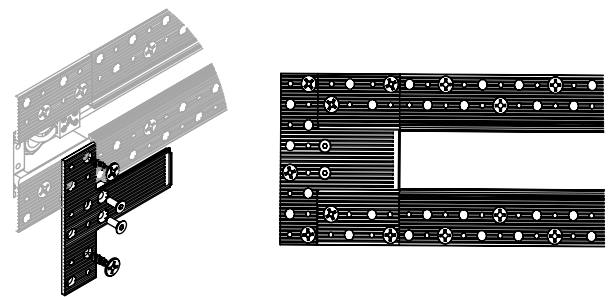
- Do not use tools or hard objects to install the tape light.
- Tuck excess tape into the non-powered endcap.



09.

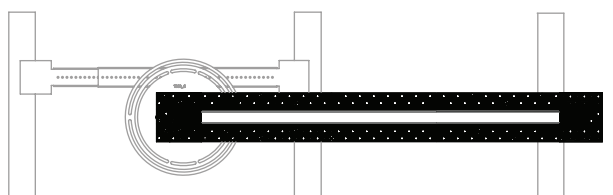
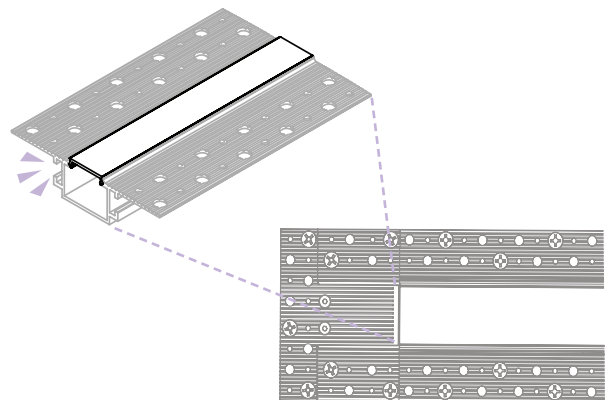
Secure powered endcap cover with hex screws provided.

- Screw powered endcap cover to drywall using supplied 5/8" drywall screws.



10.

Fasten the lens by firmly pressing one edge into the channel, then the other. Continue pressing the lens along the fixture until fully seated.



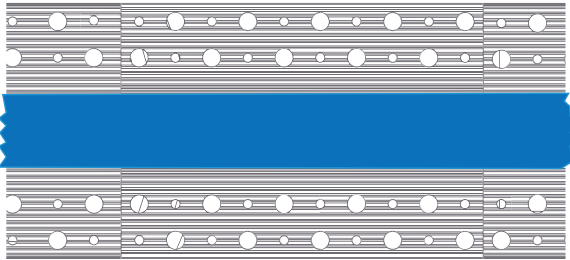
Pivotaire

Straight Installation Instructions

Section Five: Mud-in Channel

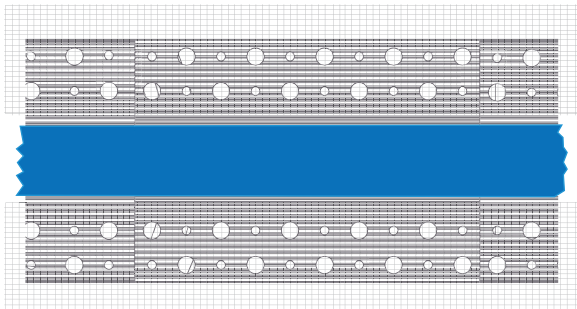
01.

Cover the center of the fixture with painter's tape.



02.

Cover the wings of the fixture with thin drywall tape.



03.

Cover the wings of the fixture with mud.

- a. Wait until it is dry.
- b. Sand the wall.
- c. Repeat if necessary.



04.

Paint the wall and wait until it is dry.

05.

Remove painter's tape.

