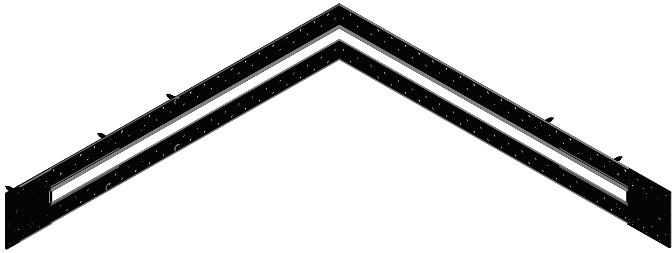


# Pivotaire

## Wrapping Installation Instructions



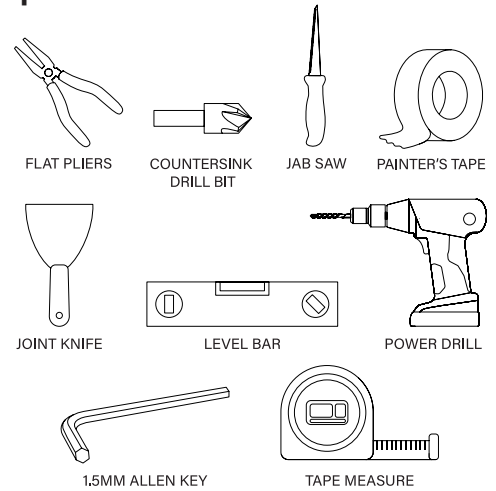
### ⚠ Important Information

- These instructions show a typical installation.
- This product is compatible with 5/8" inch drywall.

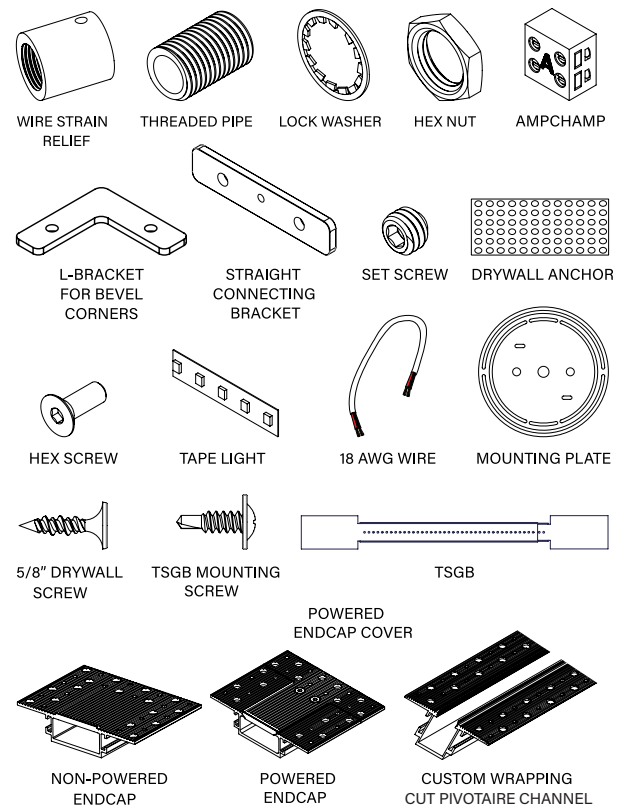
### ⚠ Safety and Warnings

1. Install in accordance with the national and local electrical code.
2. This product is intended to be installed and serviced by a qualified, licensed electrician.
3. Failure to follow safety warnings and installation instructions will void the product warranty.

### ⚙ Required Tools



### ⚙ Supplied Components



# Pivotaire

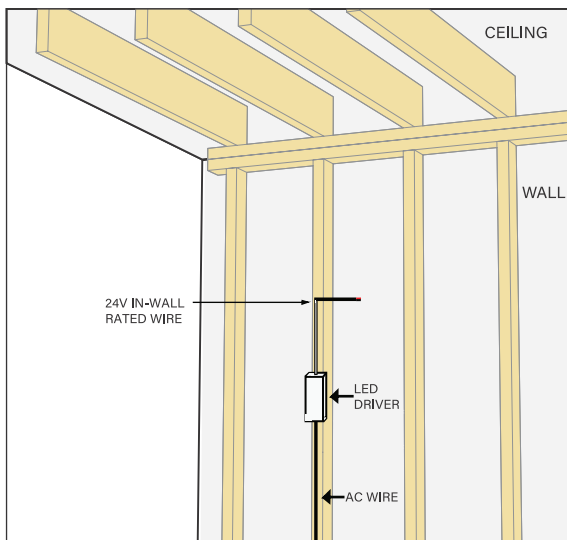
## Wrapping Installation Instructions

### ✂ Section One: Install the Remote Power Supply

#### 01.

Install a 24V remote power supply and run low voltage in-wall rated wire to the desired location.

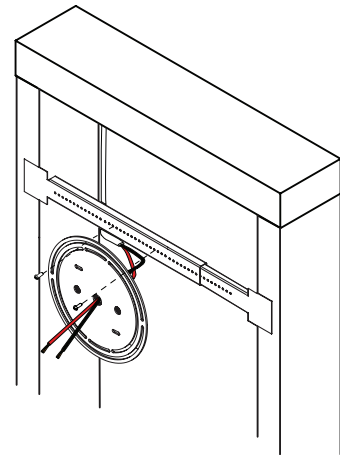
NOTE: Optique recommends using 18 AWG CL2 wire. If a higher gauge wire is required due to the distance to the driver (longer than 30 ft.), then use the junction box (B) Installation.



### ✂ Section Two: Mounting Plate Installation

#### 1a. Direct Wiring

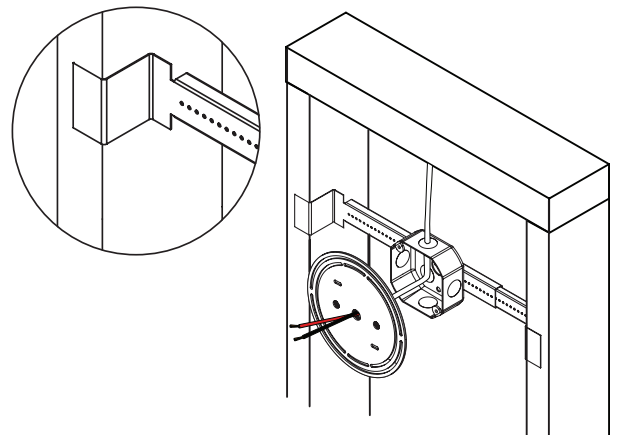
1. Mount TSGB flush to the back surface of the drywall and the front surface of studs with screws.



#### 1b. Junction Box

When not using 18 AWG

1. Bend TSGB so that the junction box is flush against the back surface of the drywall that will be installed.

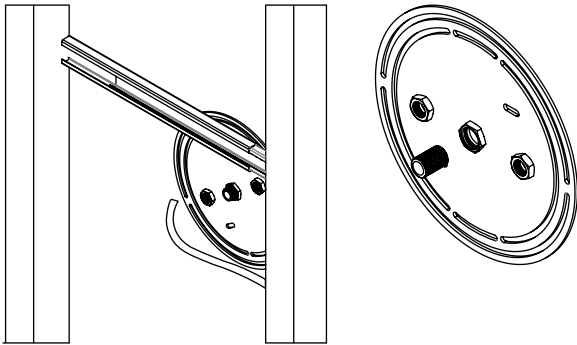


# Pivotaire

## Wrapping Installation Instructions

### 02.

Screw the threaded pipe into the threaded middle hole indicated below.



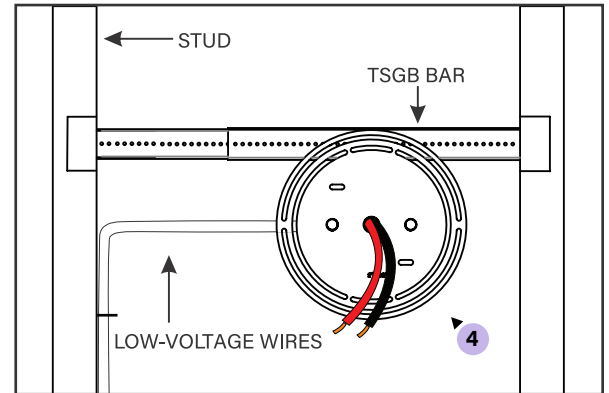
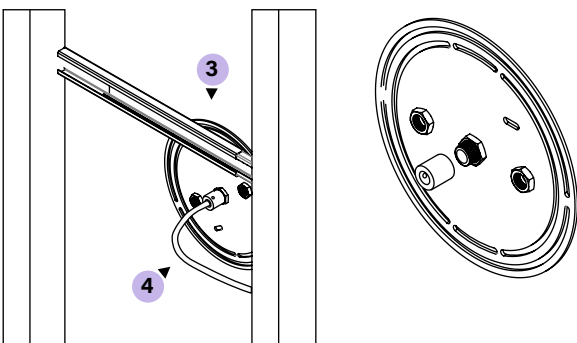
### 03.

Add the wire strain relief cap to the end of the threaded pipe behind the mounting plate.

- a. Ensure the threaded pipe protrudes 1/2" from the front of the mounting plate.

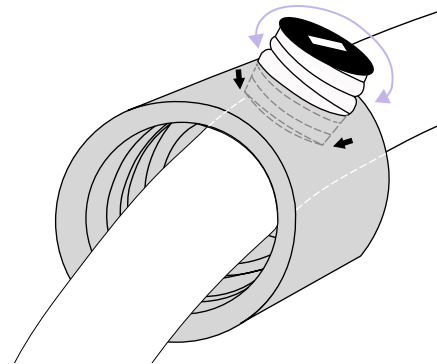
### 04.

Thread the 18 AWG low-voltage wires through the strain relief screw. Have wire protrude from the threaded pipe by about 6 inches; One positive (red) and one negative (black) wire.



### 05.

Tighten the strain relief nylon set screw fitting so that it is snug on the wire insulation but not so tight that it damages the insulation.



# Pivotaire


## Wrapping Installation Instructions

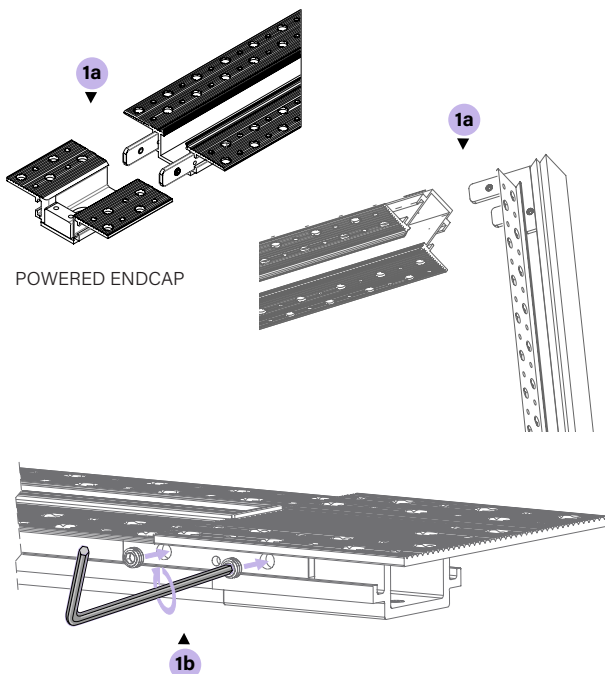
### Section Three: Drywall Installation

#### 01.

Assemble the endcap and the channel according to the planned layout, using the straight connecting bracket to maintain alignment and the L-bracket for bevel corners.

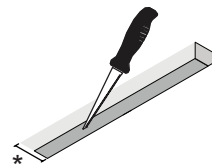
- a. Insert the straight bracket halfway into the channel rails. Tighten the two M3 set screws on each bracket using a 1.5mm Allen key.
- b. Slide the other section of the channel onto the L-bracket and tighten the remaining M3 set screws.

 **IMPORTANT:** Make sure to position the powered endcap at the end to be powered.



#### 02.

Mark on the drywall where the mounting plate with the wires will be exposed. Drill  $\frac{1}{2}$ " hole and cut the section using a jab saw to expose the mounting plate.

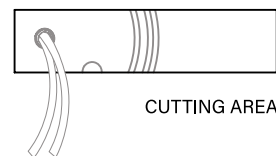


\* Channel width varies between models.

- 0.5" Wide Channel
- 1" Wide Channel

#### 03.

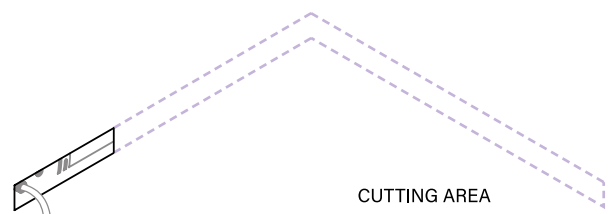
Install drywall.



#### 04.

Use the assembled fixture as a guide to mark on the wall where the fixture is to be mounted. Ensure that the hole in the powered endcap aligns with the threaded pipe.

NOTE: These instructions show a horizontal installation, although vertical orientations are also permitted.



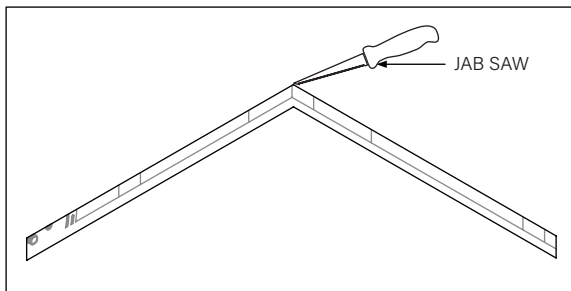
# Pivotaire

## Wrapping Installation Instructions

### 05.

Cut out the marked area matching the length and width of the channel.

- Allow for fixture wings to rest on outside of area.



### Section Four: Mount Channel

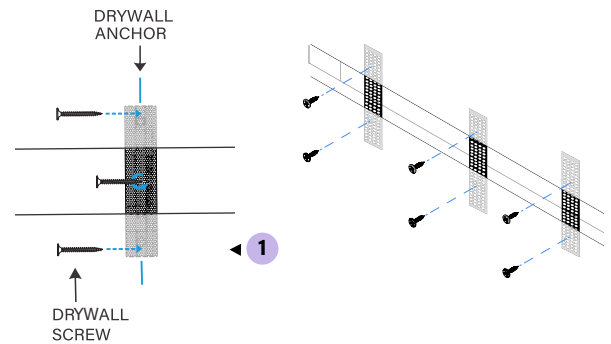
NOTE: Optique recommends using drywall screws where studs are present for maximum strength.

If the installation area does not cross studs, please use included drywall anchor.

### 01.

Install a drywall anchor behind the drywall every 36" where studs are not available.

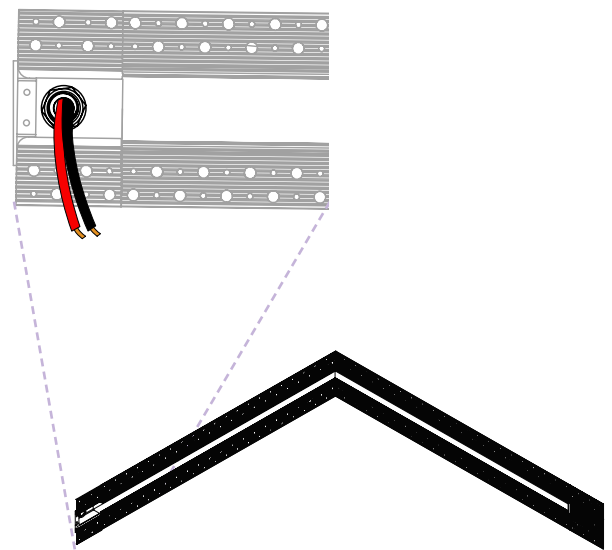
- Thread a drywall screw into the drywall anchor.
- Place the drywall anchor behind the precut drywall and rotate it into place using the drywall screw as a handle. Secure the drywall anchor to the drywall using two drywall screws.
- Mark the location of the drywall anchors on the drywall for future reference.



### 02.

Place the assembled fixture into the cutout area on the wall.

- Thread wire through the hole of the powered endcap. Insert into the precut drywall, aligning the hole of the powered endcap with the protruding threaded pipe.
- Secure the powered endcap by attaching the lock washer and hex nut to the threaded pipe. Use flat pliers to tighten the nut.



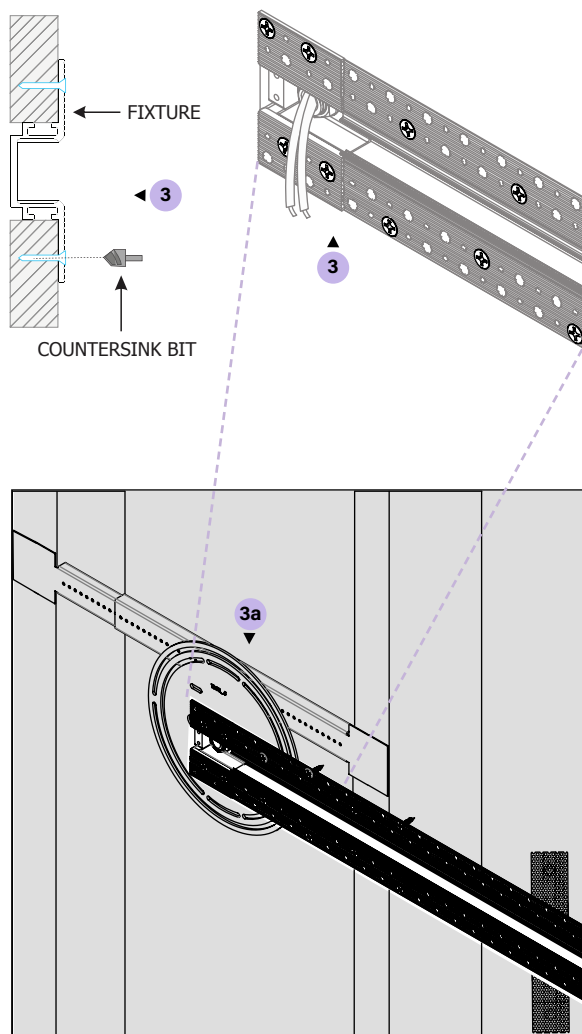
# Pivotaire

## Wrapping Installation Instructions

### 03.

Use supplied 5/8" drywall screws around Powered Endcap to ensure the screws do not impact the mounting plate.

- Use standard drywall screws to fasten the fixture to the wall. Properly secure the complete fixture to drywall by screwing through the wings. Use a countersink bit to ensure all screw heads are flush with the channel surface.



### 04.

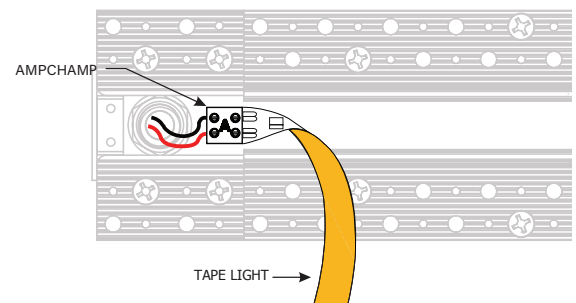
Unwind the tape light from the supplied roll.



### 05.

Wire tape light to electrical supply using AmpChamp.

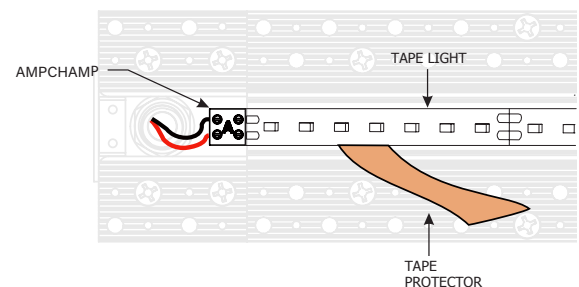
- Test the tape light by connecting a Class 2 LED driver. Turn on the power and ensure the tape lights up.
- Turn off the power again before mounting.



### 06.

Secure AmpChamp to the Pivotaire Powered Endcap with the edge lined up with the fixture using the included 3M VHB tapes.

- Connect the wire to the AmpChamp, leaving one inch of slack to ensure AmpChamp can be accessed after installation.



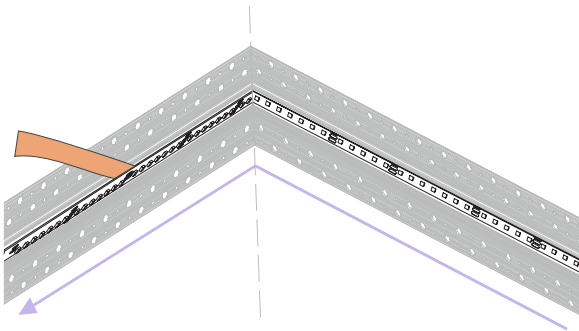
# Pivotaire

## Wrapping Installation Instructions

### 07.

Stick the tape light to the back of the fixture.

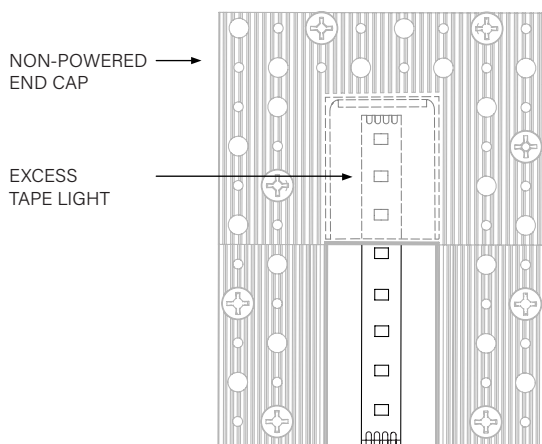
- Carefully remove the tape protector from the bottom of the tape light.



### 08.

Firmly pressing down using fingers, ensure the tape light is placed along the fixture surface removing the tape protector as needed.

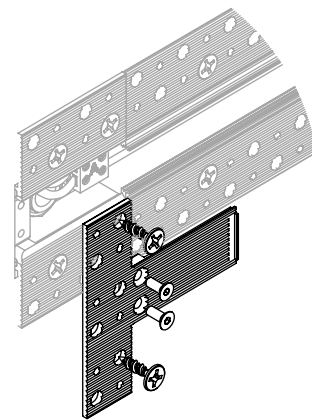
- Ensure that the tape light is positioned in corners using your fingers. Do not use tools or hard objects to install the tape light.
- Tuck excess tape into the non-powered endcap.



### 09.

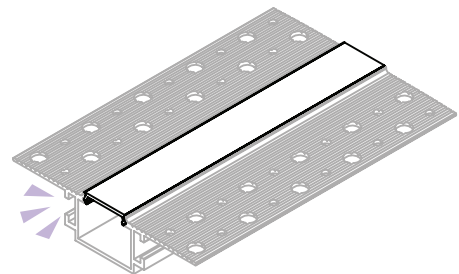
Secure powered endcap cover with hex screws provided.

- Screw powered endcap cover to drywall using supplied 5/8" drywall screws.



### 10.

Fasten the lens by firmly pressing one edge into the channel, then the other. Continue pressing the lens along the fixture until fully seated.



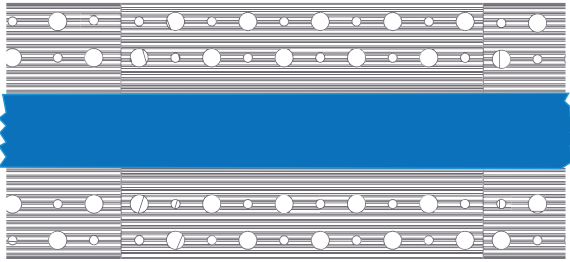
# Pivotaire

## Wrapping Installation Instructions

### Section Five: Mud-in Channel

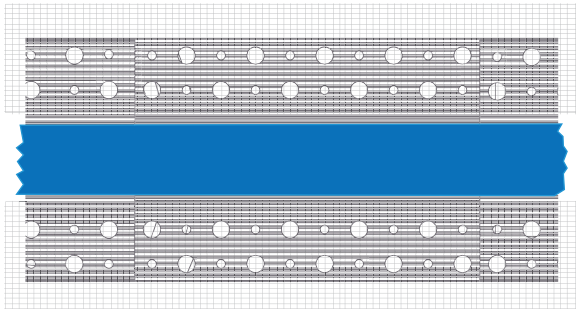
#### 01.

Cover the center of the fixture with painter's tape.



#### 02.

Cover the wings of the fixture with thin drywall tape.



#### 03.

Cover the wings of the fixture with mud.

- a. Wait until it is dry.
- b. Sand the wall.
- c. Repeat if necessary.



#### 04.

Paint the wall and wait until it is dry.

#### 05.

Remove painter's tape.

