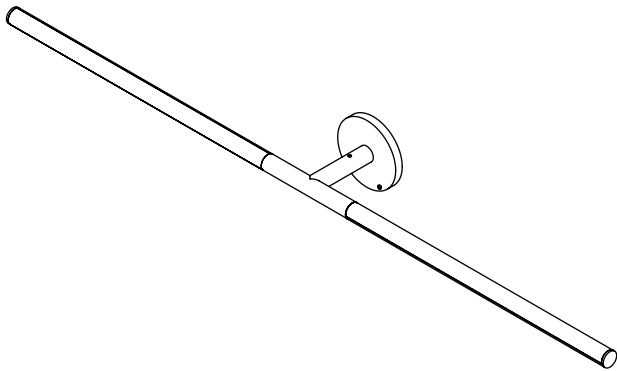


Orbita

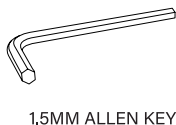
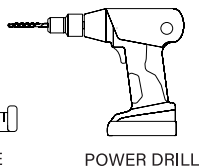
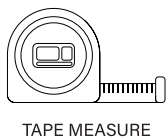
Sconce II Installation Instructions



⚠ Important Information

1. These instructions show a typical installation.
2. This product is intended to be mounted on the wall.
3. This product requires a 24V DC Class 2 power supply.
4. Suitable for installation in the storage area of a clothes closet in the USA only.
5. **CAUTION:** To reduce the risk of fire, do not install in a compartment smaller than 24 inches by 24 inches by product length.

⚙ Required Tools



✂ Option One: Direct Wire Mount

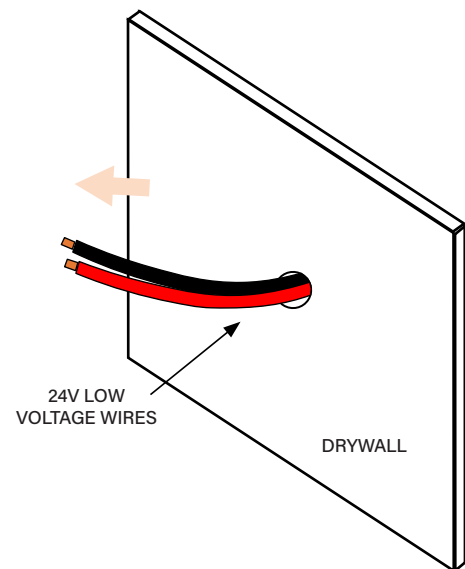
01.

Position the 24V DC Class 2 power supply in a suitable location within 30 feet of the desired fixture location.

NOTE: Longer distances are acceptable when using thicker 12 AWG wire.

02.

Drill 1/2" hole in drywall at the desired location and bring a 24V low-voltage in-wall rated wire through the hole in the wall.

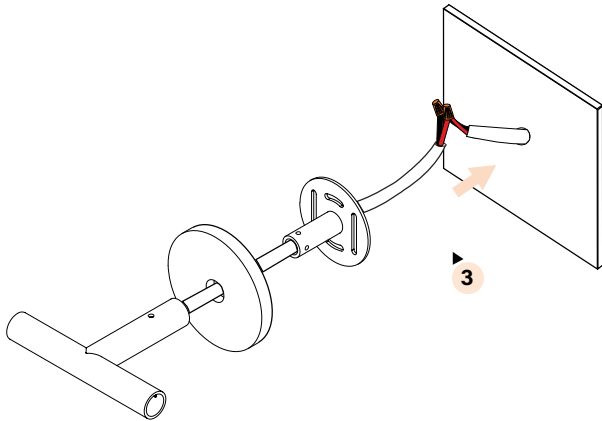


03.

Pre thread the wire from the T connector through the canopy cover and through the canopy mount. Connect a 24V low-voltage wire to the wire lead from the T connector. Red is positive (+) and black is negative (-).

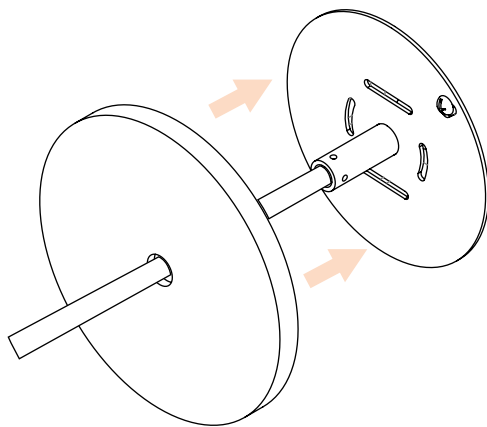
Orbita

Sconce II Installation Instructions



04.

Pass connected low-voltage wires through the hole in the drywall.

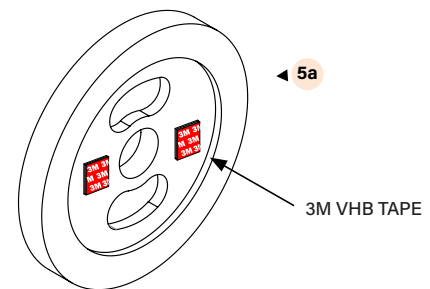
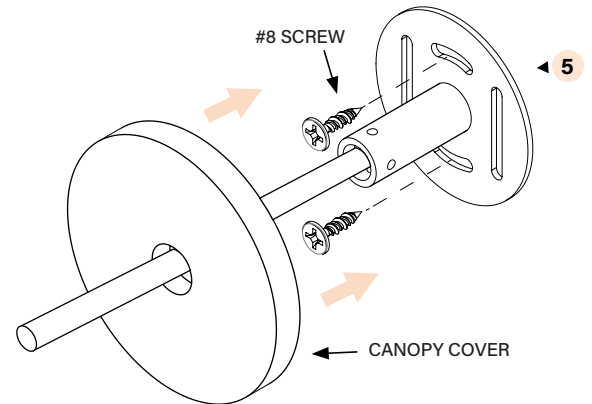


05.

Use two standard #8 wood screws to attach the canopy mount to the wall.

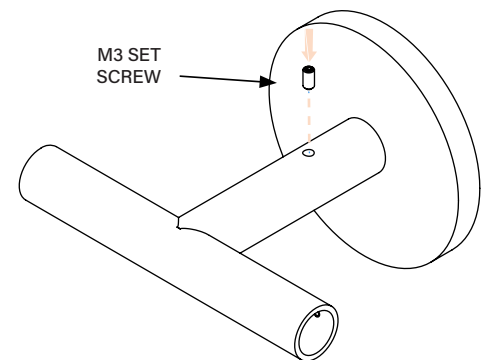
NOTE: Ensure that the threaded hole is facing straight up.

- a. Secure the canopy cover to the canopy mount with 3M VHB tape.



06.

Slide the T connector onto the canopy mount. Choose either a horizontal or vertical orientation. Fasten the T connector to the canopy mount with the M3 set screw.

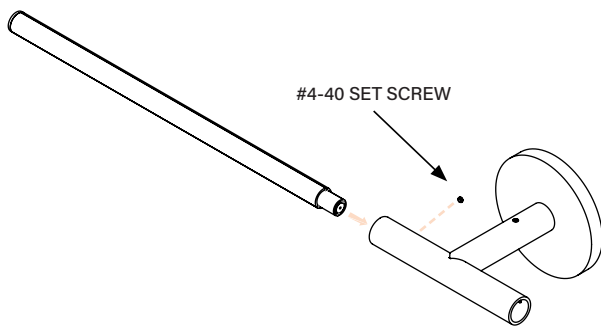


Orbita

Sconce II Installation Instructions

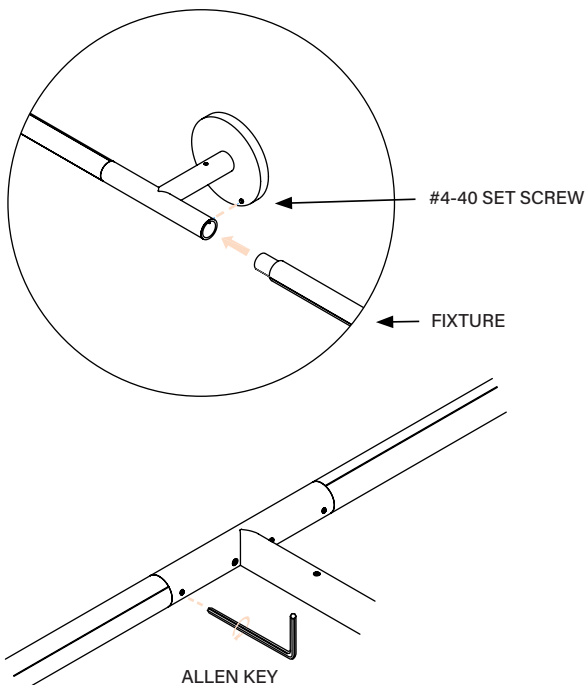
07.

Snap in one fixture into the T connector. Rotate to the desired orientation and then secure with the #4-40 set screw.



08.

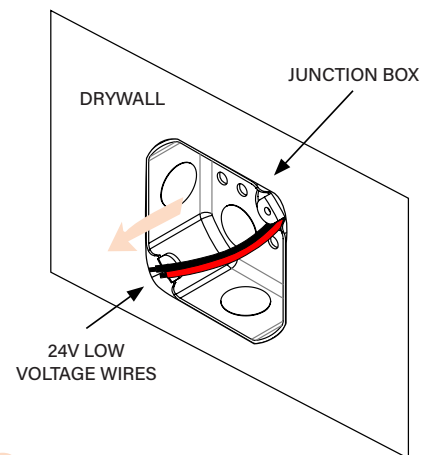
Snap the next fixture into the T connector. Rotate to the desired orientation and then secure with the #4-40 set screw.



✘ Option Two: Junction Box Mount

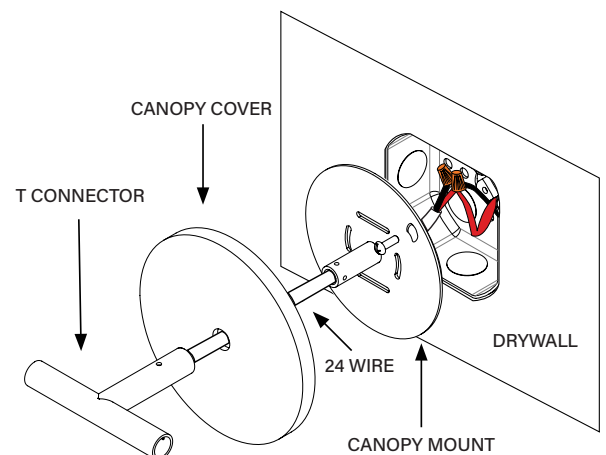
01.

Install the driver and run 24V low-voltage in-wall rated wire to the desired junction box location. Thread wire through the junction box.



02.

Pre-thread the wire from the T connector through the canopy cover and through the canopy mount. Connect a 24V low-voltage wire to the wire lead from the T connector. Red is positive (+) and black is negative (-).



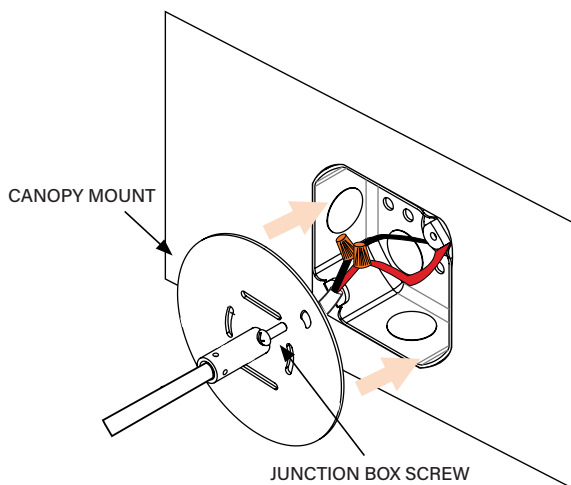
Orbita

Sconce II Installation Instructions

03.

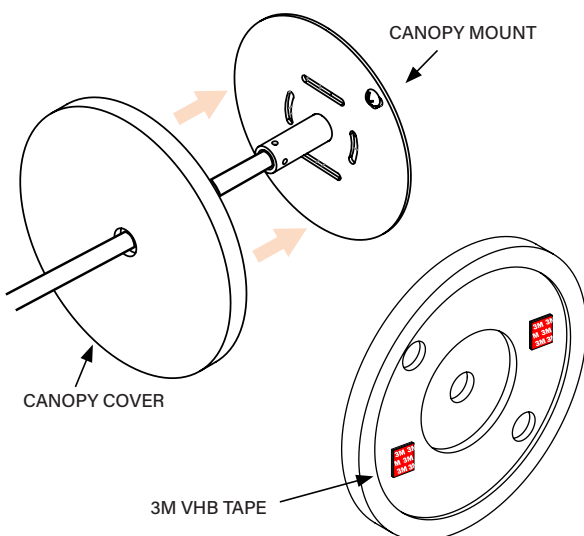
Place connected low-voltage wires in the junction box.

- a. Secure the canopy mount to the junction box with the junction box screws. Ensure that the threaded hole is facing straight up.



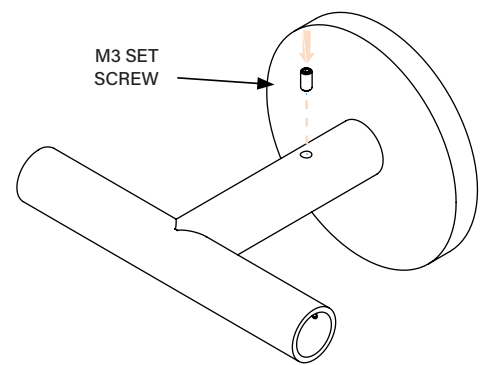
04.

Secure the canopy cover to the canopy mount with 3M VHB tape.



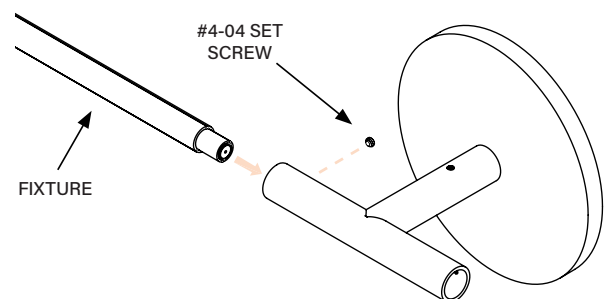
05.

Slide the T connector onto the canopy mount. Choose either a horizontal or vertical orientation. Fasten the T connector to the canopy mount with the M3 set screw.



06.

Snap in one fixture into the T connector. Rotate to the desired orientation and then secure with the #4-40 set screw.



Orbita

Sconce II Installation Instructions

07.

Snap the next fixture into the T connector. Rotate to the desired orientation and then secure with the #4-40 set screw.

