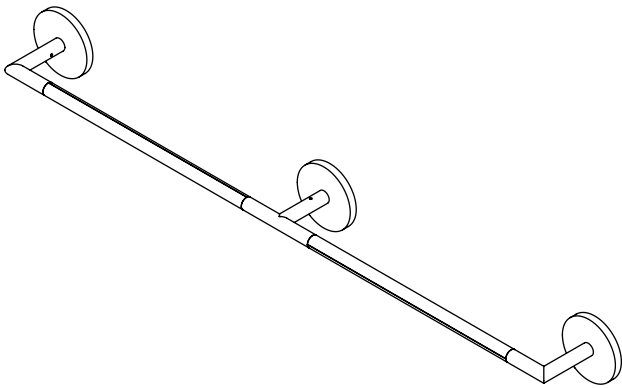


Orbita

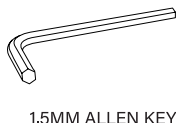
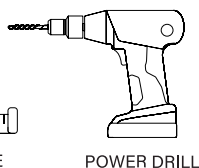
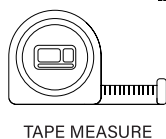
Wall Mount Installation Instructions



⚠ Important Information

1. These instructions show a typical installation.
2. This product is intended to be mounted on the wall.
3. This product requires a 24V DC Class 2 power supply.
4. Suitable for installation in the storage area of a clothes closet in the USA only.
5. **CAUTION:** To reduce the risk of fire, do not install in a compartment smaller than 24 inches by 24 inches by product length.

⚙ Required Tools



✂ Option One: Direct Wire Mount

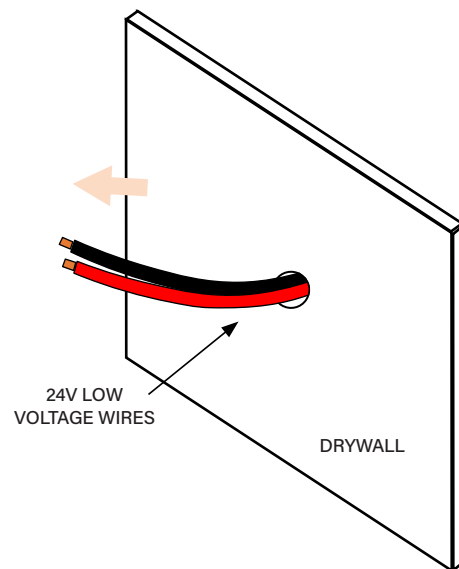
01.

Position the 24V DC Class 2 power supply in a suitable location within 30 feet of the desired fixture location.

NOTE: Longer distances are acceptable when using thicker 12 AWG wire.

02.

Drill 1/2" hole in drywall at the desired location and bring a 24V low-voltage in-wall rated wire through the hole in the wall.

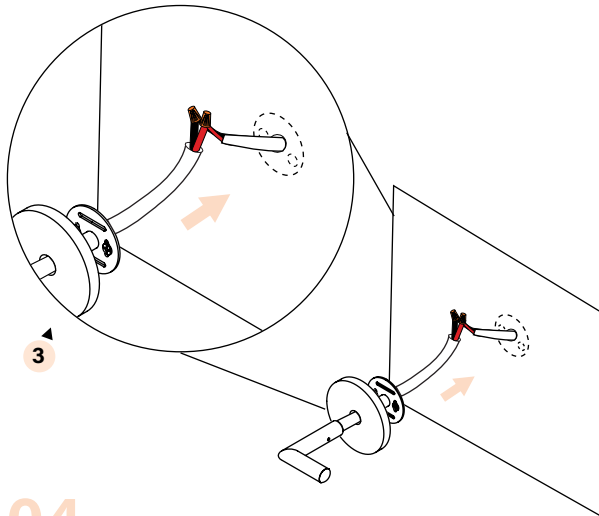


03.

Pre-thread the wire from the powered end connector through the canopy cover and the canopy mount. Connect a 24V low-voltage wire to the wire lead from the end connector. Red is positive (+) and black is negative (-).

Orbita

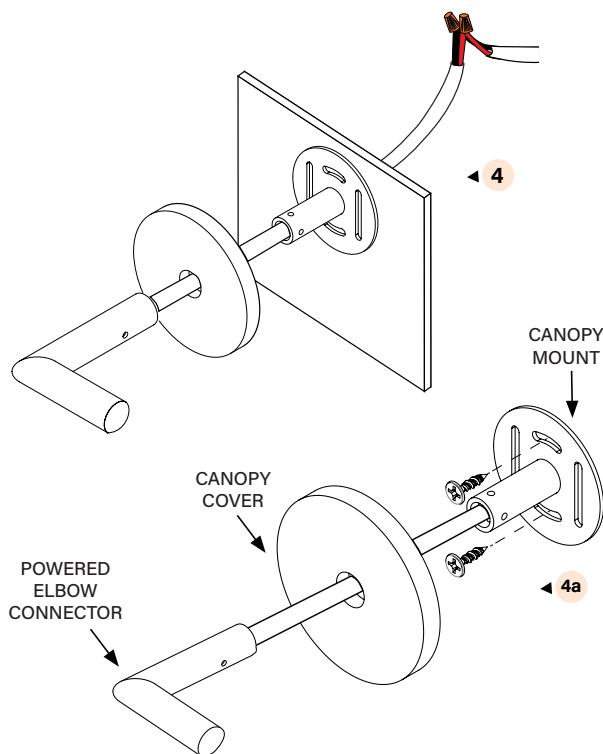
Wall Mount Installation Instructions



04.

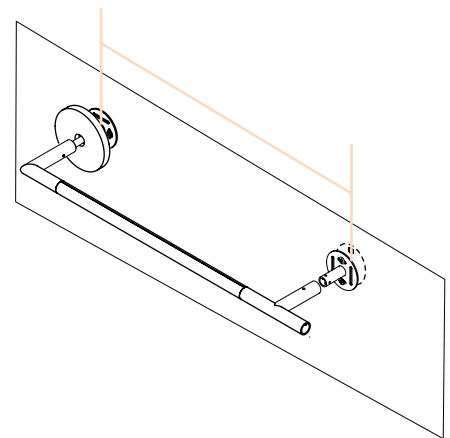
Pass connected low-voltage wires through the hole in the drywall.

- a. Use two #8 wood screws to attach canopy mount to the wall. Ensure that the threaded hole is facing straight up.



05.

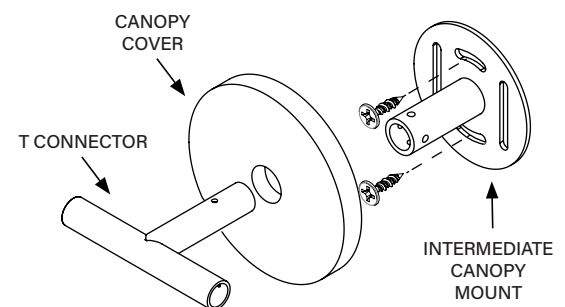
To accurately measure the placement of the next canopy mount, pre-assemble the fixture by snapping the light fixture into the powered end connector and T connector. Measure the distance between the center of the first canopy mount and the next one. Ensure it is level for horizontal installation or vertical installation. Mark the location of the canopy mount for future reference.



06.

Remove the pre-assembled fixture. Screw the intermediate canopy mount to the drywall with standard drywall screws.

- a. Repeat steps 5-6 for each intermediate canopy mount.

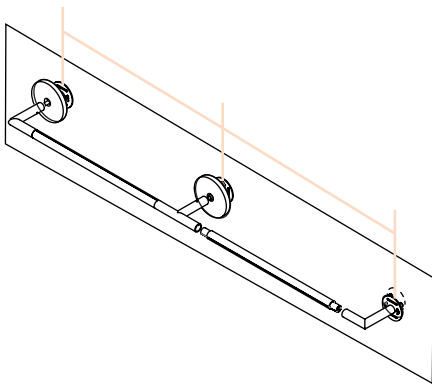


Orbita

Wall Mount Installation Instructions

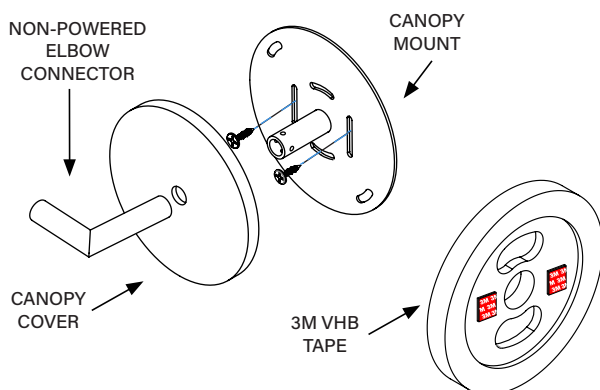
07.

To accurately measure the placement of the next canopy mount, pre-assemble the fixture by snapping the light fixture into the non-powered end connector and T connector. Measure the distance between the center of the first canopy mount and the next one. Ensure it is level for horizontal installation or vertical installation. Mark the location of the canopy mount for future reference.



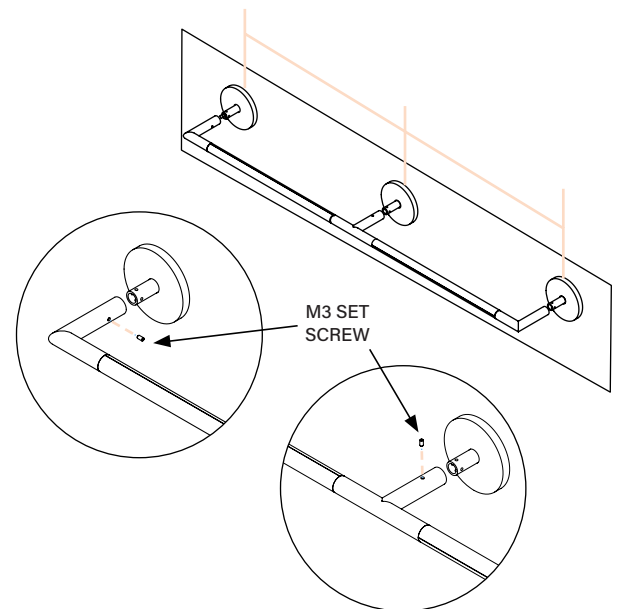
08.

Remove the pre-assembled fixture. Screw the canopy mount to the drywall with standard drywall screws. Add the canopy cover to the canopy mount. Attach all the canopy covers with the 3M VHB tapes from the back.



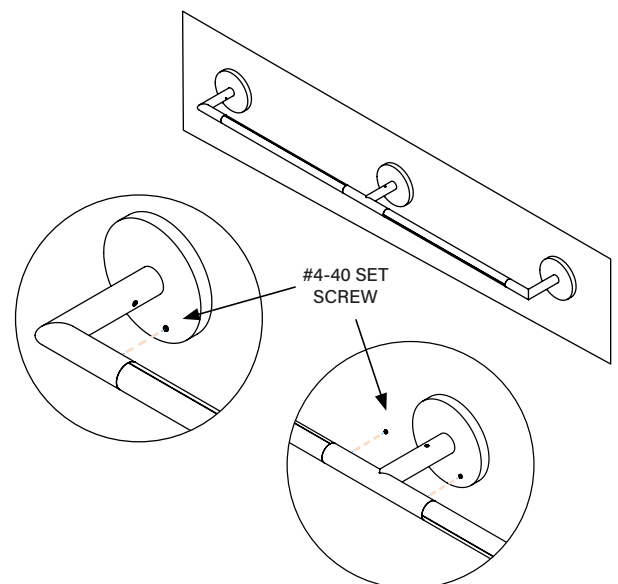
09.

Snap light fixture to connectors. Mount the complete fixture onto the canopy mounts and secure with M3 set screws provided.



10.

Rotate fixtures to desired orientation and then secure the pre threaded #4-40 set screws.



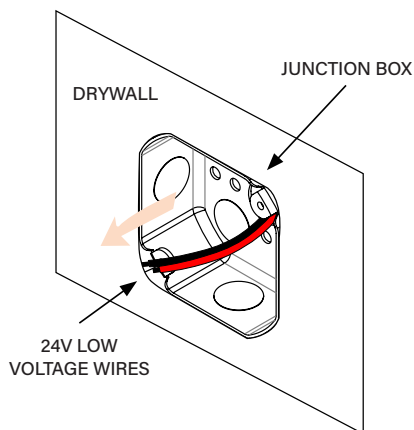
Orbita

Wall Mount Installation Instructions

✂ Option Two: Junction Box Mount

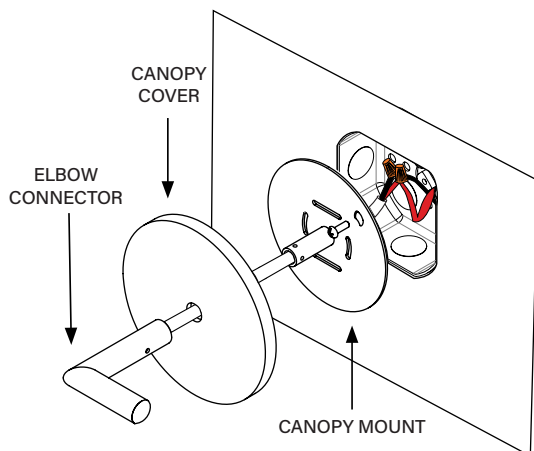
01.

Install the driver and run a 24V low-voltage in-wall rated wire to the desired junction box location. Thread wire through the junction box.



02.

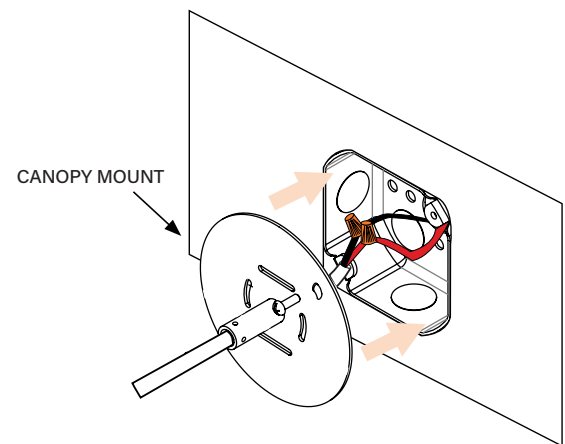
Pre-thread the wire from the powered end connector through the canopy cover and through the canopy mount. Connect 24V low-voltage wire to the wire lead from the end connector. Red is positive (+) and black is negative (-).



03.

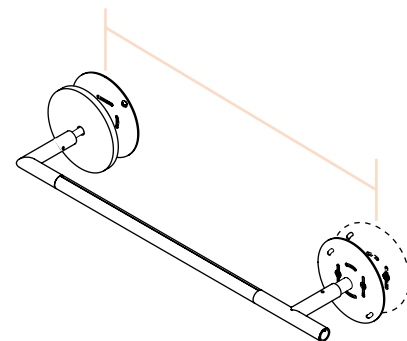
Place connected low-voltage wires in the junction box.

- Secure the canopy mount to the junction box with the junction box screws. Ensure that the threaded hole is facing straight up.



04.

To accurately measure the placement of the next canopy mount, pre-assemble the fixture by snapping the light fixture into the powered end connector and T connector. Measure the distance between the center of the first canopy mount and the next one. Ensure it is level for horizontal installation or vertical installation. Mark the location of the canopy mount for future reference.



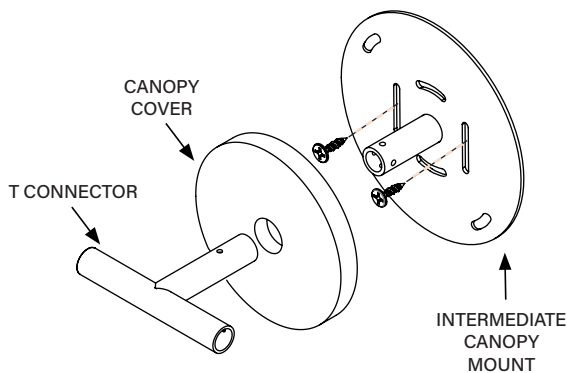
Orbita

Wall Mount Installation Instructions

05.

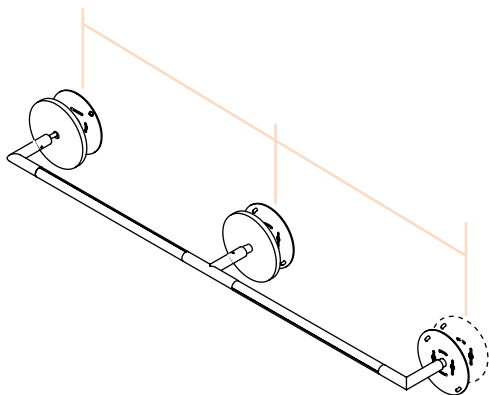
Remove the pre-assembled fixture. Screw the canopy mount to the drywall with standard drywall screws. Add the canopy cover to the canopy mount. Attach all the canopy covers with the 3M VHB tapes from the back.

a. Repeat steps 4-5 for each intermediate canopy mount.



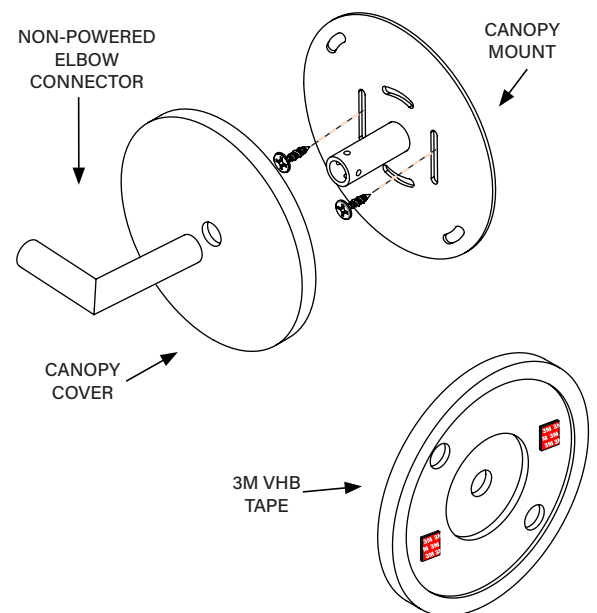
06.

To accurately measure the placement of the next canopy mount, pre-assemble the fixture by snapping the light fixture into the non-powered end connector and T connector. Measure the distance between the center of the first canopy mount and the next one. Ensure it is level for horizontal installation or vertical installation. Mark the location of the canopy mount for future reference.



07.

Remove the pre-assembled fixture. Screw the canopy mount to the drywall with standard drywall screws. Add the canopy cover to the canopy mount. Attach all the canopy covers with the 3M VHB tapes from the back.

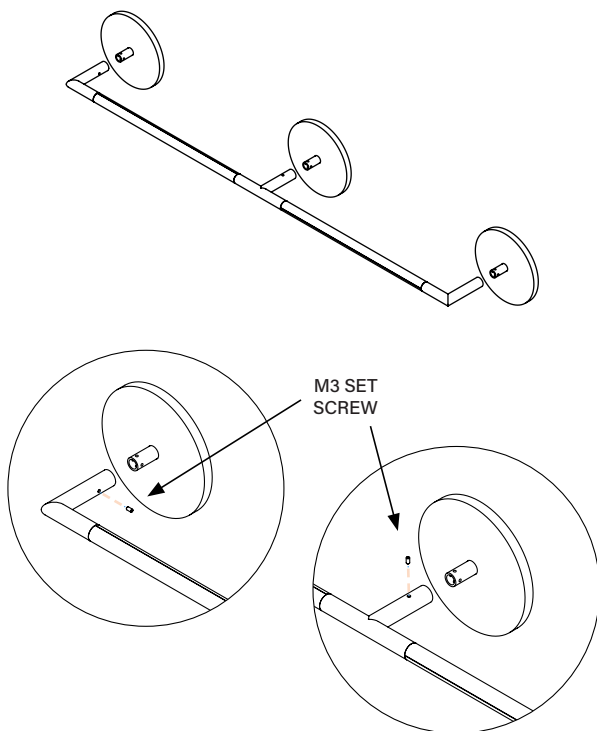


Orbita

Wall Mount Installation Instructions

08.

Snap fixtures to connectors. Mount complete fixture onto the canopy mounts and secure with 3M set screws provided.



09.

Rotate fixtures to the desired orientation and then secure the pre-threaded #4-40 set screws.

