

# 30W PowerFactor™ Non-Dimmable Driver with UL Listed Junction Box

## AL-98-12-24030 Specification Sheet



PowerFactor™ Non-Dimmable Drivers with integrated UL Listed junction box supply reliable, efficient low voltage power to white tape light on an on/off switch, or RGB and RGBW color controllers (which have on-board dimming functionality). Although non-dimmable drivers are compatible with AC on/off switches, they are not dimmable with AC dimmer switches.

- High power factor for high efficiency
- Flat and compact housing is easy to conceal
- >90% power factor
- Dry or wet environment
- 6 year warranty

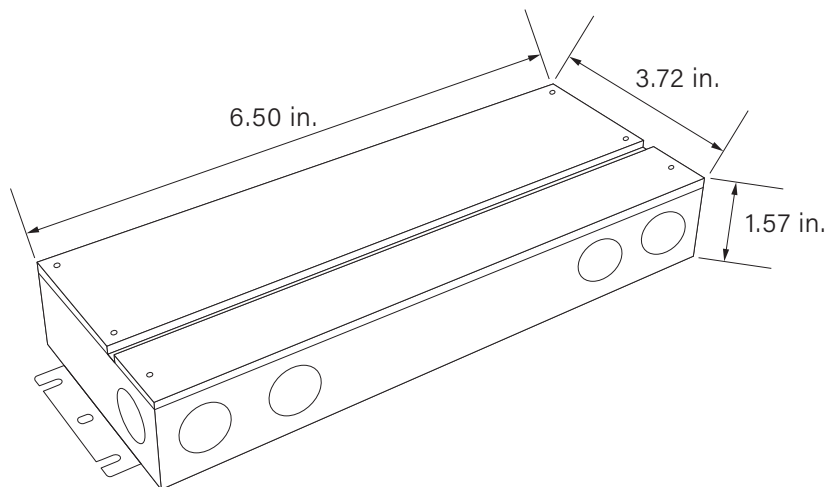


### Features

- >90% power factor
- Class 2



### Dimensions



# 30W PowerFactor™ Non-Dimmable Driver with UL Listed Junction Box

## AL-98-12-24030 Specification Sheet

### Technical Information

Output	DC Voltage	24V DC
	Rated Current	1.25A
	Rated Power	30W
	Voltage Tolerance	±0.5V
	Voltage Regulation	±0.5%
	Load Regulation	±1%
Input	Voltage Range	100-277 AC
	Frequency Range	47~63Hz
	Power Factor (Typ.) at Full Load	0.99 @ 120V ; 0.98 @ 230V ; 0.96 @ 277V
	THD (Typ.) at Full Load	<15% @120V ; <20%@230V ; <20% @277V
	Efficiency (Typ.) at Full Load	82% @ 120V ; 82% @ 230V ; 81% @ 277V
	AC Current (Maximum)	0.5A (100VAC)
	Inrush Current (Typ.)	7A,50% ,420us @120V ; 30A,50% 90us @230V ;12A 50% 480us @ 277V
	Leakage Current	<0.50mA
Protection	Short Circuit	Shut down o/p voltage, repower on to recover after fault condition is removed
	Overload	≤120% shut down o/p voltage, repower on to recover
	Over Temperature	100°C±10°C / 212°F±50°F shut down o/p voltage, automatically recover after cooling
Environment	Working Temperature / Humidity	-40~+60°C / -40~+140°F / 20~90%RH, non-condensing
	Storage Temperature Humidity	-40~+80°C / -40~+176°F / 10~95%RH
	Temperature Coefficient	±0.03%/°C (0~50°C) / (32~122°F)
	Vibration	10~500Hz, 5G 10 min. / 1 cycle, period for 60min. each along X,Y,Z axes
Safety & EMC	Safety Standards	UL8750+UL1310
	Withstand Voltage	I/P-O/P:1.88KV AC
	Isolation Resistance	I/P-O/P:>100MΩ/500V DC/25°C, 77°F/70% RH
	EMC Emission	Compliance to FCC Part 15 B
Other	Warranty	6 Year Limited
	Size (Junction Box)	6.50 x 3.72 x 1.57 in. (LxWxH)

1. All parameters if NOT specially mentioned are measured at 120V AC input, rated load and 25°C/77°F ambient temperature.

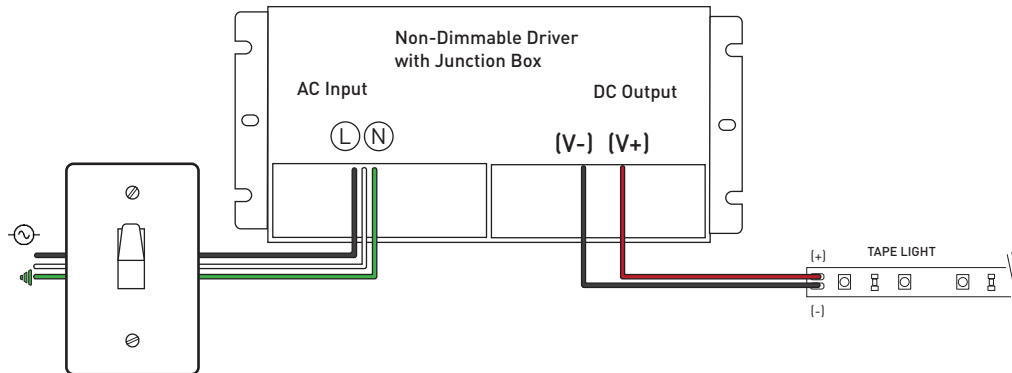
2. Derating may be needed under low input voltage. Please check the static characteristics for more details

3. The unit might not be suitable for lighting applications in EU countries. Avoid immersion in water over 30 minutes

# 30W PowerFactor™ Non-Dimmable Driver with UL Listed Junction Box

## AL-98-12-24030 Specification Sheet

### Wiring Diagram



Note: Dimmers switch wiring for reference use only. Please follow instructions provided with the dimer switch.

### Troubleshooting

- Q:** Why are the lights connected to the driver blinking roughly once a second?
- A:** The driver may be overloaded. Check to make sure the maximum wattage is not being exceeded. There could also be a possibility of incompatible voltage. Confirm that the driver and tape light voltage match.
- Q:** How do I determine the compatibility?
- A:** Check the voltage, wattage, load capacity of both the tape light and driver.
- Q:** Is it possible to have multiple runs of tape light that are daisy-chained together connect to a driver with 1 lead wire?
- A:** Yes, but only if the total length of consecutive runs do not exceed the tape light's maximum run and also does not exceed the driver's maximum wattage.