

Orbita Sconce Nano Linear Fixture

Specification Submittal

Orbita Sconce I & II provides an elegant, minimalist look that features field-adjustable light distribution. Perfect for many home lighting or commercial lighting applications.

Project Name:

Project Location:

Fixture Type:

SKUs:

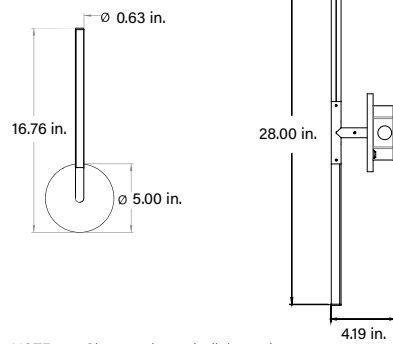


Features & Benefits

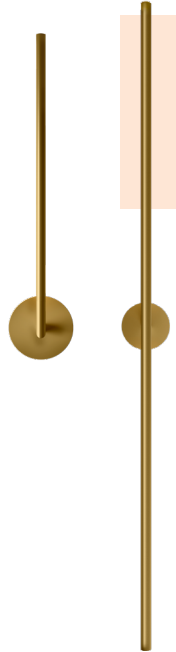
- Offered with one or two light engines and multiple lengths
- 360° light rotation to effortlessly fine-tune the direction of the light
- Superior color rendering
- High R9 and R13 values
- 2-step MacAdam ellipse for unparalleled quality and consistency
- UL Listed and Title 24

Dimensions


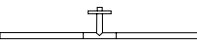
See next page for more details.



NOTE: Shown using 12 in. light engines
ø = diameter



System Builder Choose one option for each step.

Prefix	Configuration	Output	CCT	Canopy	Finish	Length
OP-SFU-ORBITA-	<p>VERT Vertical sconce with a single light engine.</p>  <p>VER-HOR2 Vertical or horizontal sconce with two light engines.</p> 	<p>L3 2700K - 201 lm/ft (4W) 3000K - 210 lm/ft (4W) 3500K - 225 lm/ft (4W) 4200K - 236 lm/ft (4W) 5000K - 263 lm/ft (4W)</p>	<p>2700K 3000K 3500K 4200K 5000K</p>	<p>275 2.75 in. Diameter canopy <i>For mounting directly to the wall (No junction box)</i></p> <p>500 5 in. Diameter canopy <i>For mounting with the use of a junction box</i></p>	<p>SB Satin Brass</p> <p>MBL Powder Coated Matte Black RAL 9005</p>	<p>12 12 in. light engine Lumen output: 263 per segment</p> <p>18 18 in. light engine Lumen output: 394 per segment</p> <p>24 24 in. light engine Lumen output: 525 per segment</p> <p>– Total length is limited to 10 ft. (120 in.)</p> <p>– If fixture has more than one section, it will use the chosen length for each section</p>

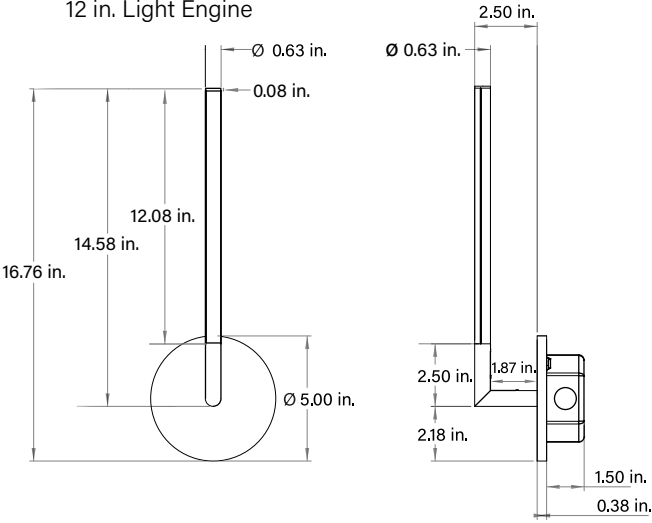
Orbita Sconce Nano Linear Fixture

Specification Submittal

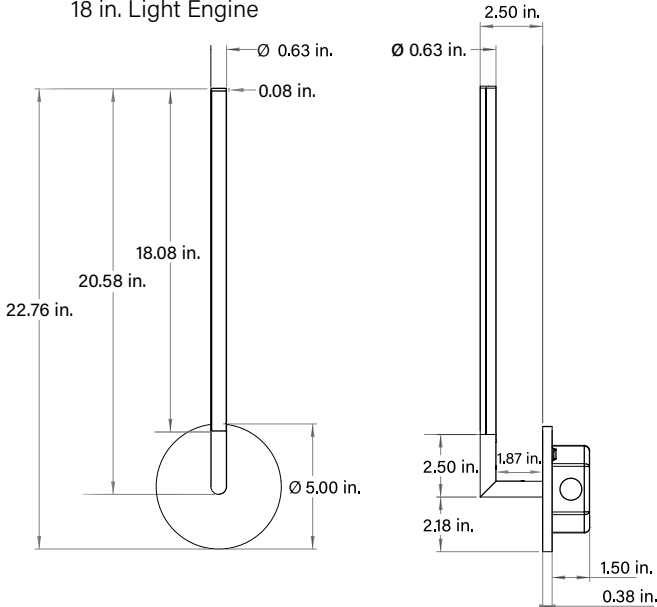
Dimensions

Sconce I - VERT

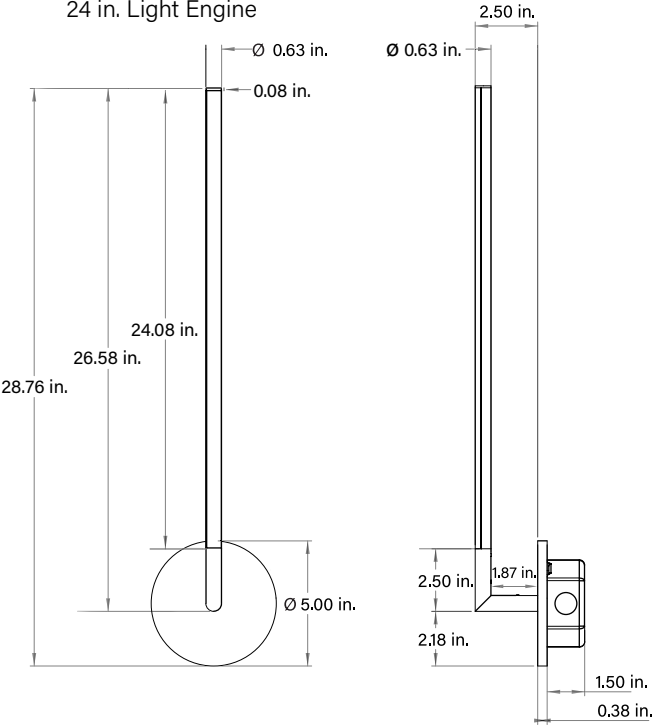
12 in. Light Engine



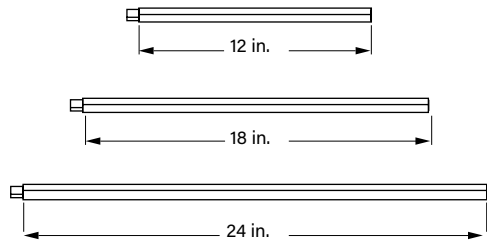
18 in. Light Engine



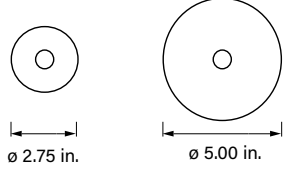
24 in. Light Engine



Light Engines



Canopy



NOTE: ø = diameter

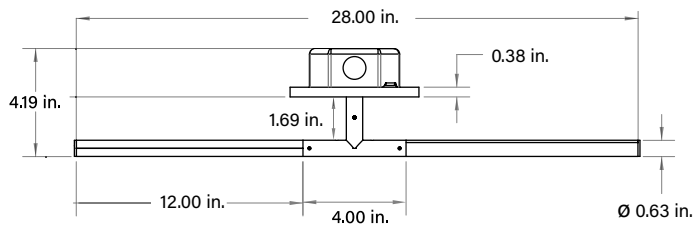
Orbita Sconce Nano Linear Fixture

Specification Submittal

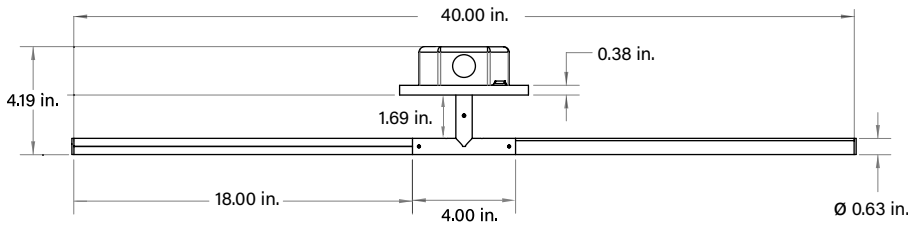
Dimensions

Sconce II - VERT-HOR2

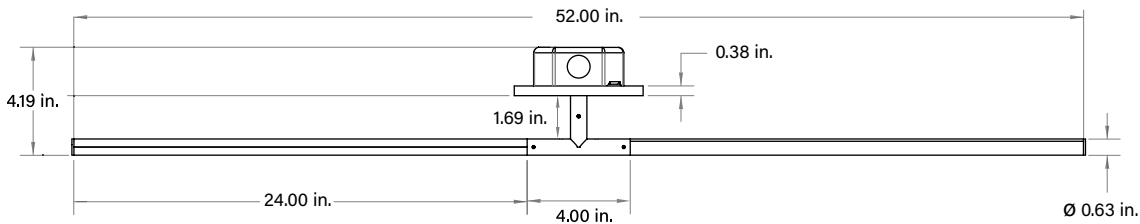
12 in. Light Engine



18 in. Light Engine



24 in. Light Engine



NOTE: \varnothing = diameter

Power Supplies

Yes, Include Power Supplies:

Optique Lighting will provide a universal power supply supporting 0-10, 1-10V, MLV, ELV dimming and voltage input from 100V-277V. Includes integrated junction box.

No Power Supplies Required:

No power supplies will be included.

*Note: If nothing is selected, we will assume power supplies should be included.

Orbita Sconce Nano Linear Fixture

Specification Submittal

◆ Photometry

1 ft., 3000K Orbita Nano Linear Fixture

LUMEN SUMMARY

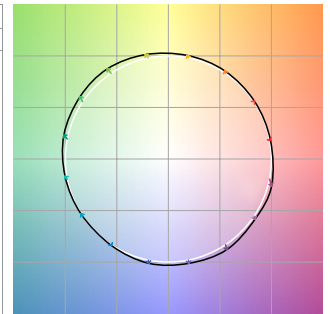
Zone	Lumens	% Fixture
0° - 15°	9.13 lm	4.35%
0° - 30°	34.6 lm	16.48%
0° - 45°	70.7 lm	33.67%
0° - 60°	110 lm	52.38%
0° - 75°	147 lm	70.00%
0° - 90°	175 lm	83.33%

FOOT CANDLES

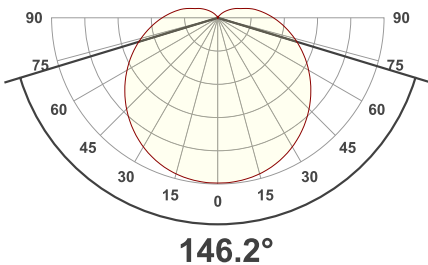
Distance	Foot Candles
1'	43 fcd
1.5'	19 fcd
2'	11 fcd
2.5'	7 fcd
3'	5 fcd
4'	3 fcd
5'	2 fcd
6'	1 fcd
9'	1 fcd
12'	0 fcd

COLOR VECTOR GRAPHIC

Hue Bin	Rr	Graphic shifts (%)	
		Chroma	Hue
1	96	1%	-2%
2	98	1%	0%
3	95	1%	2%
4	95	2%	2%
5	95	4%	2%
6	92	6%	1%
7	92	5%	-3%
8	92	4%	-3%
9	94	2%	-3%
10	95	0%	-3%
11	96	0%	1%
12	94	3%	1%
13	96	3%	0%
14	94	5%	-2%
15	95	2%	-2%
16	92	3%	-6%



ANGULAR DISTRIBUTION 0 - 90°



BEAM ANGLE

