

# Orbita Wall Mount Nano Linear Fixture

## Specification Submittal

Our sleek, versatile Orbita Wall Mount features field-adjustable, indirect light distribution and is offered in four segmented lengths and multiple configurations. Add versatility and style to your home lighting or commercial lighting solutions by lighting spaces, highlighting items, and more.

Project Name:

Project Location:

Fixture Type:

SKUs:

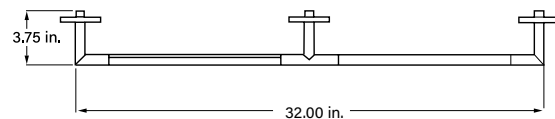


### Features & Benefits

- Available in multiple lengths and up to three segments
- 360° light rotation to effortlessly fine-tune the direction of the light
- Superior color rendering
- High R9 and R13 values
- 2-step MacAdam ellipse for unparalleled quality and consistency
- UL Listed and Title 24



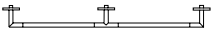


### Dimensions

See next page for more details.



NOTE: Shown using 12 in. light engines

### System Builder Choose one option for each step.

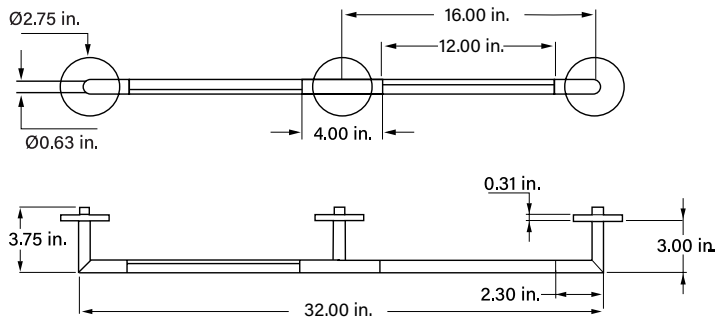
Prefix	Configuration	Output	CCT	Canopy	Finish	Length
OP-SFU-ORBITA-		L3				
	<b>SURF1</b> Surface mount fixture made up of one segment. 	<b>L3</b> 2700K - 201 lm/ft (4W) 3000K - 210 lm/ft (4W) 3500K - 225 lm/ft (4W) 4200K - 236 lm/ft (4W) 5000K - 263 lm/ft (4W)	2700K 3000K 3500K 4200K 5000K	<b>275</b> 2.75 in. Diameter canopy For mounting directly to the wall (No junction box)	 <b>SB</b> Satin Brass	<b>12</b> 12 in. light engine Lumen output: 263 per segment
	<b>SURF2</b> Surface mount fixture made up of two segments. 			<b>500</b> 5 in. Diameter canopy For mounting with the use of a junction box	 <b>MBL</b> Powder Coated Matte Black RAL 9005	<b>18</b> 18 in. light engine Lumen output: 394 per segment
	<b>SURF3</b> Surface mount fixture made up of three segments. 					<b>24</b> 24 in. light engine Lumen output: 525 per segment
						<b>36</b> 36 in. light engine Lumen output: 788 per segment - Total length is limited to 10 ft. (120 in.) - If fixture has more than one section, it will use the chosen length for each section

# Orbita Wall Mount Nano Linear Fixture

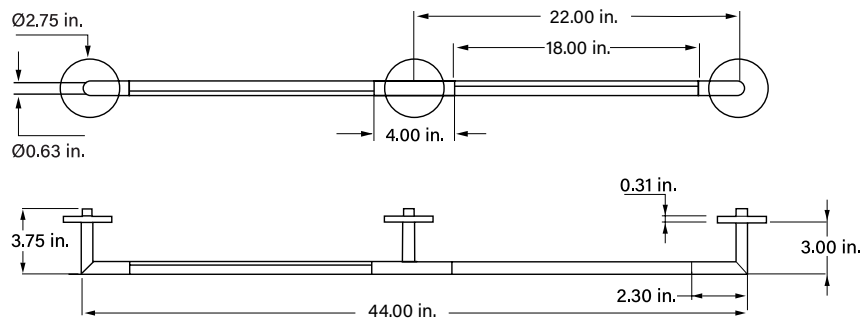
## Specification Submittal

### Dimensions

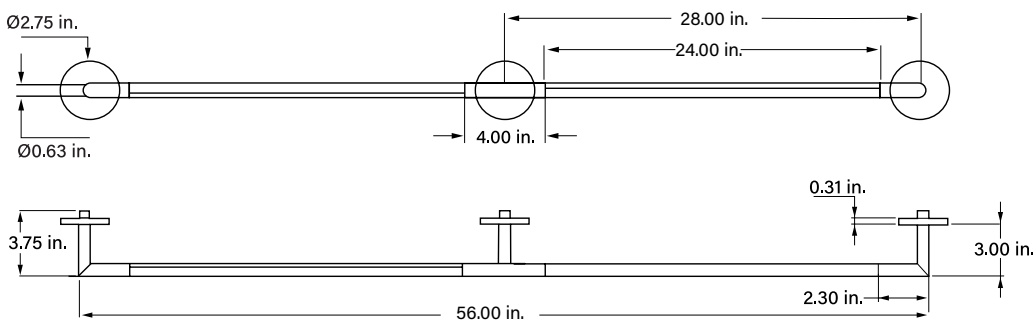
#### 12 in. Light Engine



#### 18 in. Light Engine



#### 24 in. Light Engine

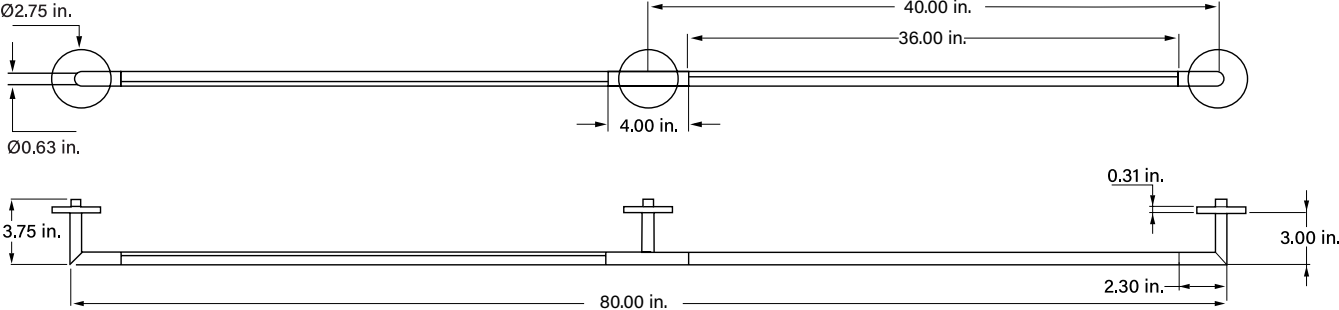


# Orbita Wall Mount Nano Linear Fixture

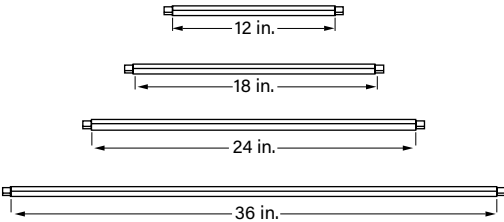
## Specification Submittal

### Dimensions

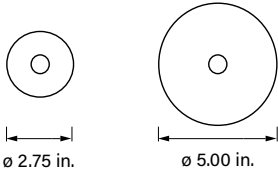
36 in. Light Engine



Light Engines



Canopy



NOTE:  $\varnothing$  = diameter

# Orbita Wall Mount Nano Linear Fixture

## Specification Submittal

### Power Supplies

Yes, Include Power Supplies:

Optique Lighting will provide a universal power supply supporting 0-10, 1-10V, MLV, ELV dimming and voltage input from 100V-277V. Includes integrated junction box.

No Power Supplies Required:

No power supplies will be included.

\*Note: If nothing is selected, we will assume power supplies should be included.

### Photometry

1 ft., 3000K Orbita Nano Linear Fixture

#### LUMEN SUMMARY

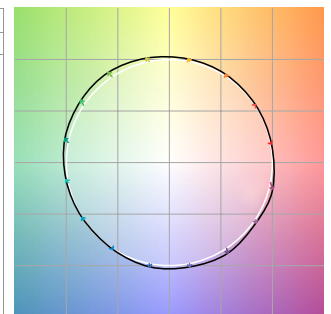
Zone	Lumens	% Fixture
0° - 15°	9.13 lm	4.35%
0° - 30°	34.6 lm	16.48%
0° - 45°	70.7 lm	33.67%
0° - 60°	110 lm	52.38%
0° - 75°	147 lm	70.00%
0° - 90°	175 lm	83.33%

#### FOOT CANDLES

Distance	Foot Candles
1'	43 fcd
1.5'	19 fcd
2'	11 fcd
2.5'	7 fcd
3'	5 fcd
4'	3 fcd
5'	2 fcd
6'	1 fcd
9'	1 fcd
12'	0 fcd

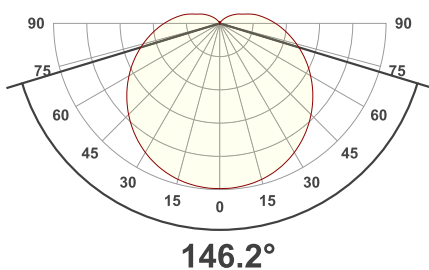
#### COLOR VECTOR GRAPHIC

Hue Bin	R <sub>t</sub>	Graphic shifts (%)	
		Chroma	Hue
1	96	1%	-2%
2	98	1%	0%
3	95	1%	2%
4	95	2%	2%
5	95	4%	2%
6	92	6%	1%
7	92	5%	-3%
8	92	4%	-3%
9	94	2%	-3%
10	95	0%	-3%
11	96	0%	1%
12	94	3%	1%
13	96	3%	0%
14	94	5%	-2%
15	95	2%	-2%
16	92	3%	-6%



Reference Test

#### ANGULAR DISTRIBUTION 0 - 90°



#### BEAM ANGLE

